

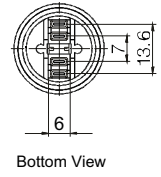
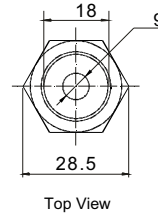
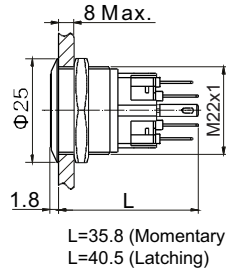
# Pushbutton Switches

Anti-Vandal Pushbutton Switch - Mounting Hole Ø22mm

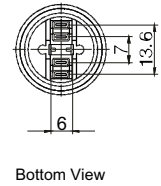
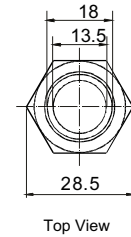
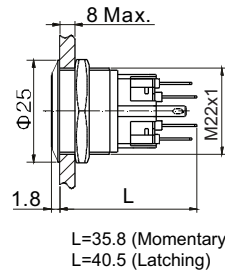
PAV22 Series



PAV22S...1... Dot illuminated; 1NO1NC



PAV22S...2... Ring illuminated; 1NO1NC

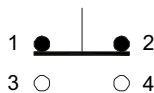


## LAMP RATINGS

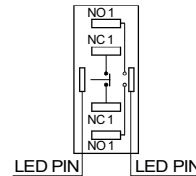
Lamp Type	LED Lamp AC/DC *			Lamp Circuit Diagram
	AC/DC6V	AC/DC12V	AC/DC110V	
Rated Voltage	AC/DC24V	AC/DC36V	AC/DC220V	<p>Using AC/DC LED lamp, the terminals have not difference of anode and cathode; Using inner resistance, don't need to connect outer resistance.</p>
Rated Amper	about 15mA		about 5mA	
LED Colors	red, green, yellow, orange, blue, white			
Life	40,000 hours (reference)			

\* DC LED and other voltages can be made by request.

## SWITCHING



## DIAGRAM OF TERMINATION



The second and third switch unit are the same.

## HOW TO ORDER:

PAV22

### 1 CONTACT:

S 1NO1NC

### 2 OPERATING MODE:

M Momentary  
L Latching

### 3 FRONT SHAPE:

blank Flat Round  
PF Super Flat Head, Flat Button

### 4 TERMINATION:

S Solder Lug 2.8x0.5mm

### 5 ILLUMINATION:

0 No Illumination  
1 Dot Type Illumination  
2 Ring Type Illumination

### 6 LED COLOR:

N No Illumination  
C Red F Green E Yellow  
D Orange G Blue B White

### 7 LED VOLTAGE:

0 No Illumination  
6 AC/DC 6V  
12 AC/DC 12V  
24 AC/DC 24V  
110 AC/DC 110V  
220 AC/DC 220V  
(Other Voltage can be made by request)

### 8 ENGRAVING:

A Stop B Start C Return D Reset  
E | F || G ◀ H ↑  
J ■ K ⏻ L ⚡ M ⏻  
N ○  
(Other engraving can be made by request)

## SPECIFICATIONS:

### CHARACTERISTICS

- > Protection Degree: IP65 (IP67 made to order)
- > Anti Vandal Degree: IK10
- > Switch Rating: 5A 250VAC Max.
- > Contact Resistance: 50mΩ Max.
- > Insulation Resistance: 1000MΩ Min.
- > Dielectric Intensity: 2000VAC
- > Operating Temperature: -20°C to +55°C
- > Mechanical Life: 1,000,000 cycles
- > Electrical Life: 50,000 cycles
- > Panel Thickness: 1 to 8 mm
- > Torque: 5 to 14 Nm
- > Operation Pressure: about 5.5 N
- > Operation Distance: about 2.5mm

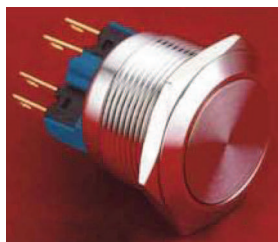
### MATERIALS

- > Contact: Silver alloy
- > Button: Stainless steel
- > Body: Stainless steel
- > Base: PA

# Pushbutton Switches

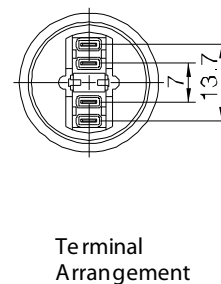
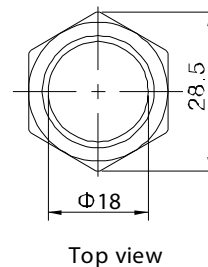
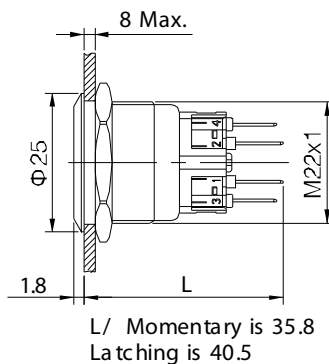
Anti-Vandal Pushbutton Switch - Mounting Hole  $\text{\O}22\text{mm}$

PAV22 Series



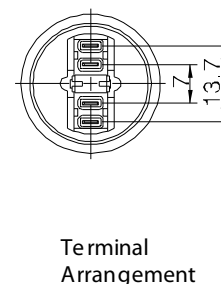
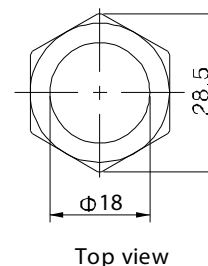
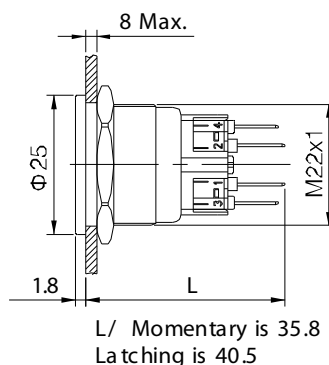
Terminal Type: Solder Lug  
Front Shape: Flat Round  
Illumination: No Illuminated

PAV22S\_S0N0N



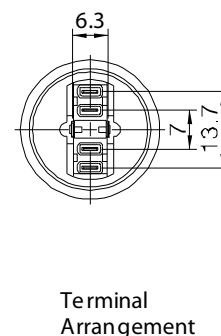
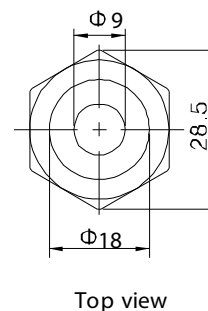
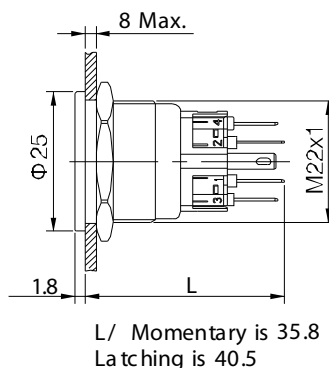
Terminal Type: Solder Lug  
Front Shape: Super Flat  
Illumination: No Illuminated

PAV22S\_PFS0N0N



Terminal Type: Solder Lug  
Front Shape: Super Flat  
Illumination: Dot Illuminated

PAV22S\_PFS1F\_N



Terminal Type: Solder Lug  
Front Shape: Super Flat  
Illumination: Ring Illuminated

PAV22S\_PFS2G\_N

