

# Pushbutton Switches

## Illuminated Pushbutton Switch with LED

## PB40 Series

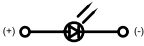


### FEATURES:

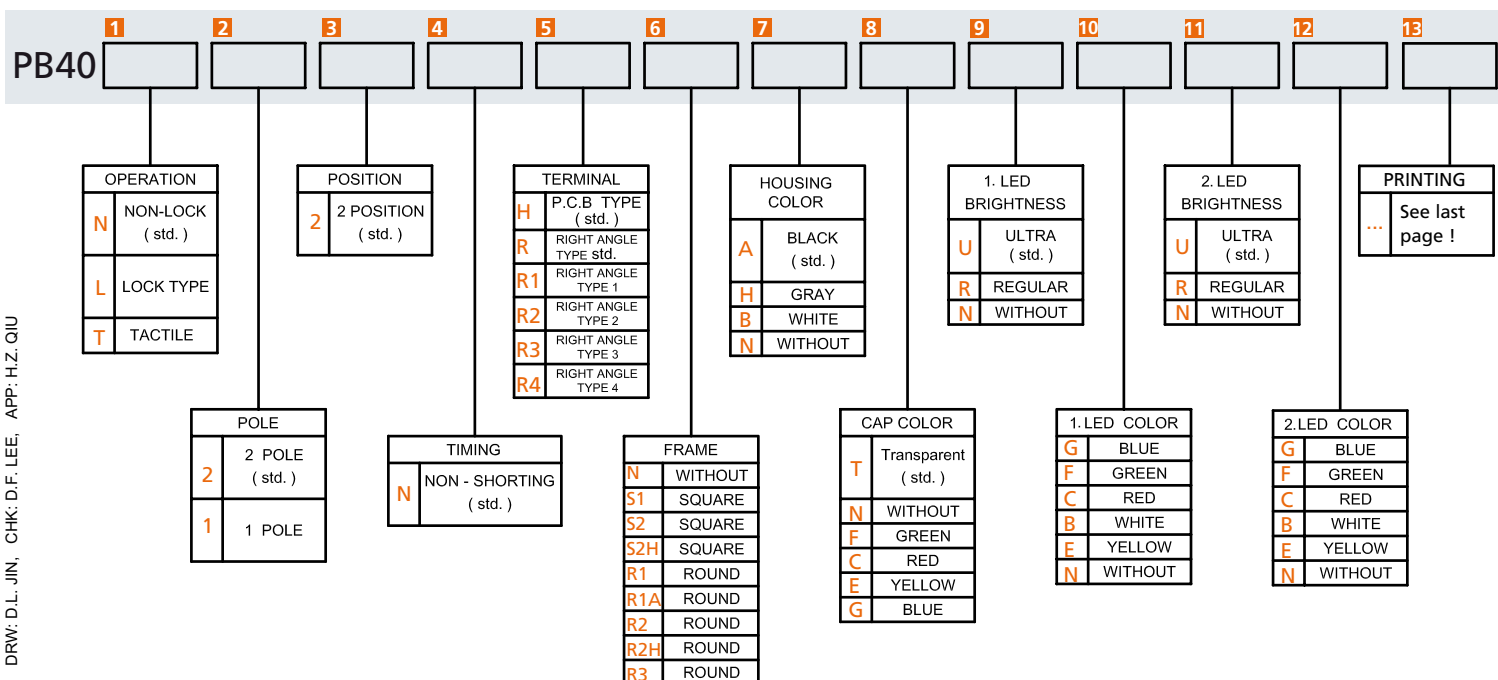
- > Small size
- > LED illuminated
- > Two colors available
- > Lock / Non-lock / Tactile Type available
- > Various cap options

### Specifications:

SWITCH SPECIFICATIONS	
POLE - POSITION	1P2T , 2P2T LOCK / NON-LOCK Action with LED
CONTACT RATING	30 VDC , 0.1A / 5 VDC , 0.1mA
CONTACT RESISTANCE	50 mΩ max. 1.5 V DC ; 100 mA , by Method of Voltage DROP
INSULATION RESISTANCE	100 MΩ min. 500 V DC
DIELECTRIC STRENGTH	Breakdown is not Allowable ; 500 V AC for 1 Minute
OPERATING FORCE	250 ± 100 gf
OPERATING LIFE	50,000 cycles
OPERATING TEMPERATURE RANGE	-20°C ~ 70°C
TOTAL TRAVEL	TRAVEL - 1.0 ± 0.3 mm FULL TRAVEL - 1.5 ± 0.3 mm

LED SPECIFICATIONS						
ATTENTION  LEDs are Electrostatic Sensitive devices	Unit	Value / LED Color				
		Blue	Green	Red	White	Yellow
FORWARD CURRENT	If	mA	30	30	30	30
REVERSE VOLTAGE	Vr	V	5.0	5.0	5.0	5.0
REVERSE CURRENT	Ir	μA	10	10	10	10
FORWARD VOLTAGE@20mA	Vf	V	3.5-4.0	2.0-2.5	2.0-2.5	3.3-3.8
LUMINOUS INTENSITY@20mA	Iv	mcd	230	120	50	145

### How to order:



All specifications are restricted to QA test criteria.  
DRW: D.L. JIN, CHK: D.F. LEE, APP: H.Z. QIU

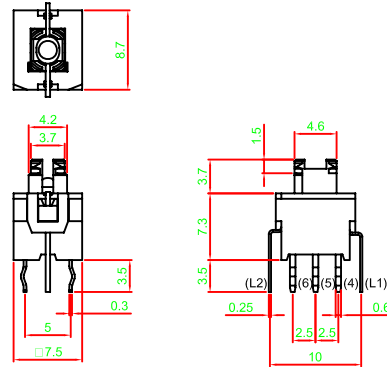
# Pushbutton Switches

Illuminated Pushbutton Switch with LED

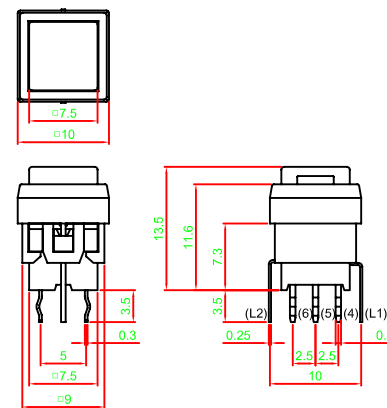
PB40 Series

## ► DIMENSION

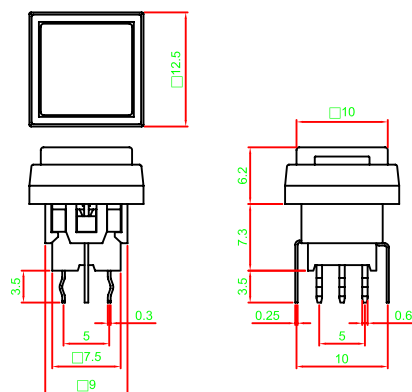
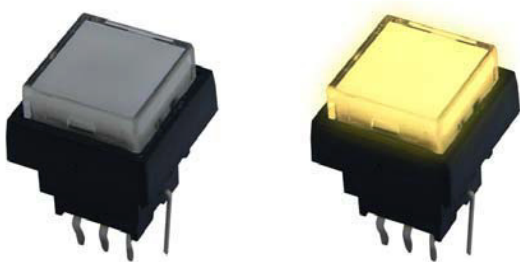
**PB40L22NHNNN**



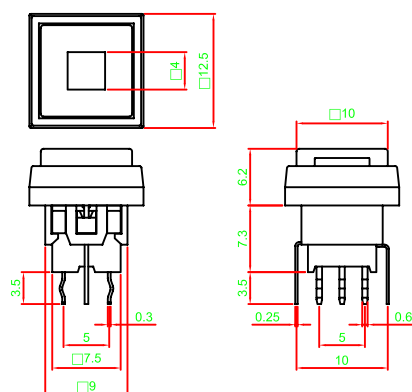
**PB40L22NHS1AT**



**PB40N22NHS2AT**



**PB40N22NHS2HAT**



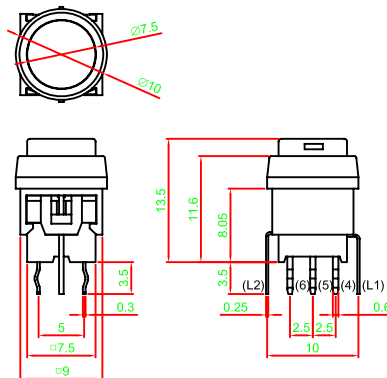
# Pushbutton Switches

Illuminated Pushbutton Switch with LED

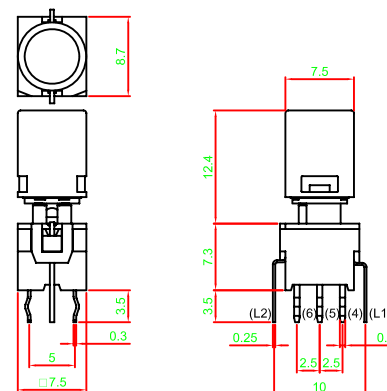
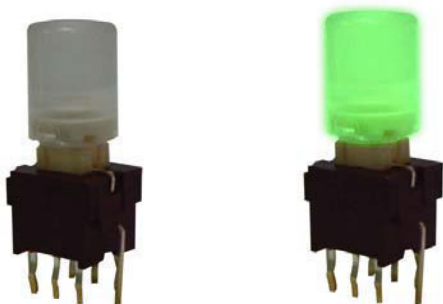
PB40 Series

## ► DIMENSION

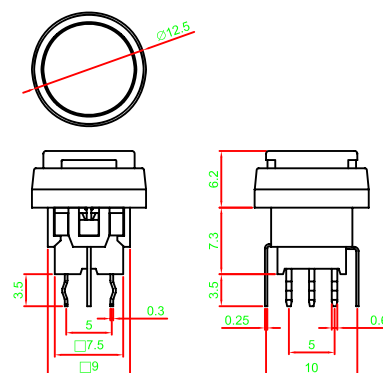
**PB40L22NHR1AT**



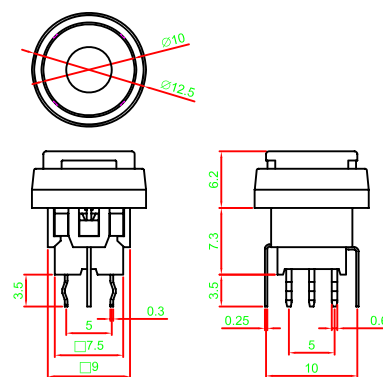
**PB40L22NHR1ANT**



**PB40N22NHR2AT**



**PB40N22NHR2HAT**



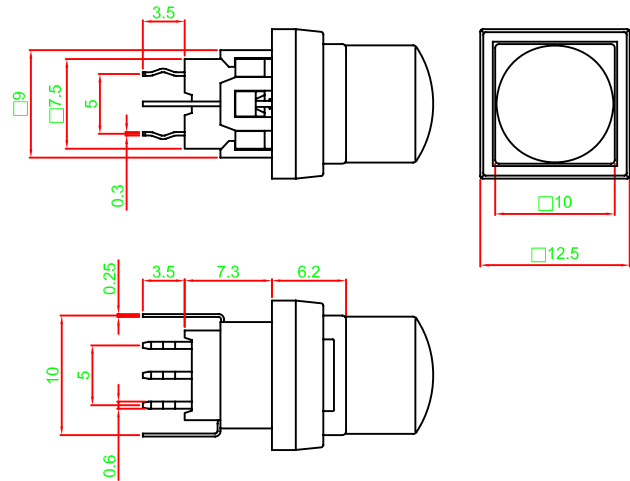
# Pushbutton Switches

Illuminated Pushbutton Switch with LED

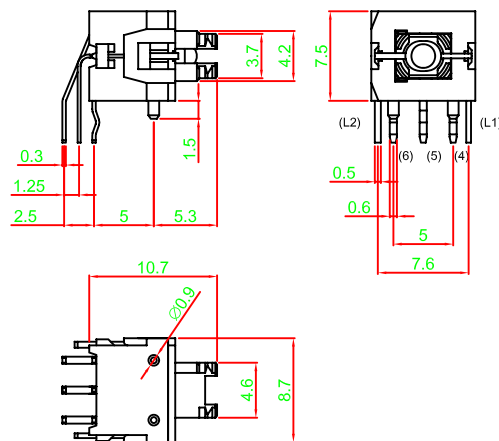
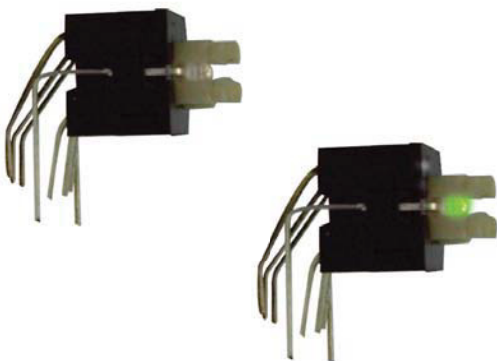
PB40 Series

► DIMENSION

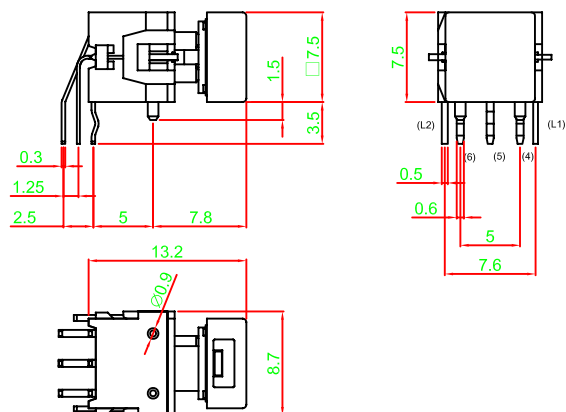
**PB40N22NHR3AT** □ □ □ □ □



**PB40N22NRNN** □ □ □ □ □



**PB40N22NRS1NT** □ □ □ □ □



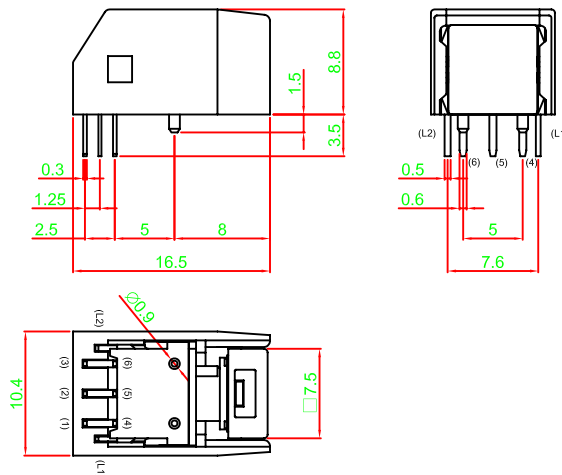
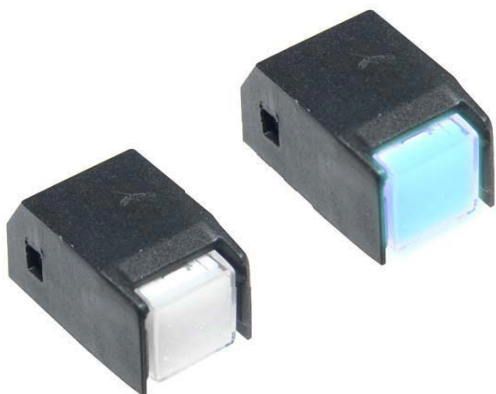
# Pushbutton Switches

Illuminated Pushbutton Switch with LED

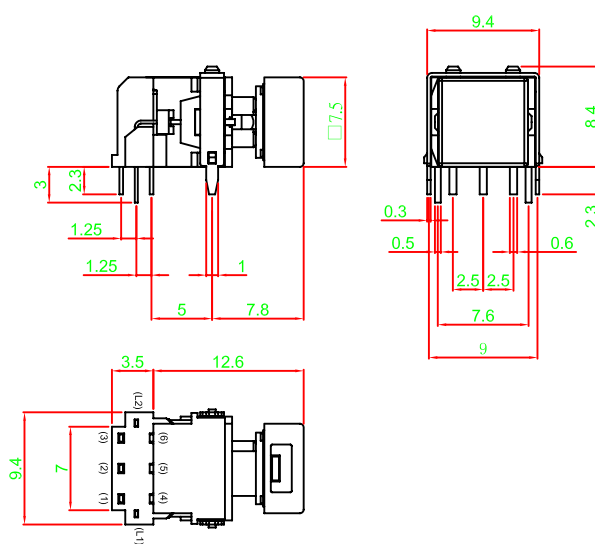
PB40 Series

► DIMENSION

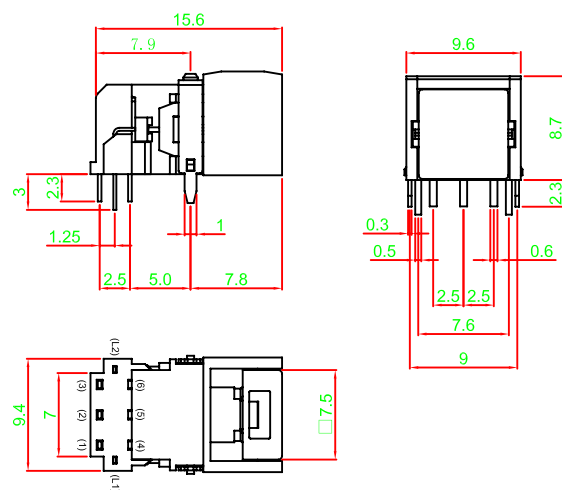
**PB40N22NRS1AT**



**PB40N22NR1S1NT**



**PB40N22NR2S1AT**



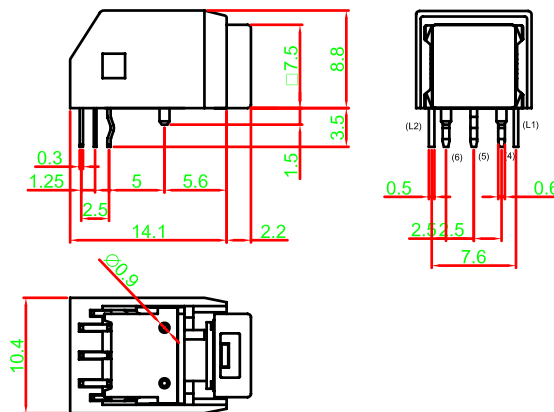
# Pushbutton Switches

Illuminated Pushbutton Switch with LED

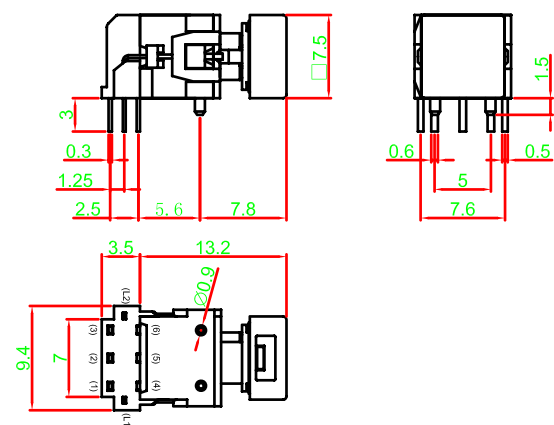
PB40 Series

## DIMENSION

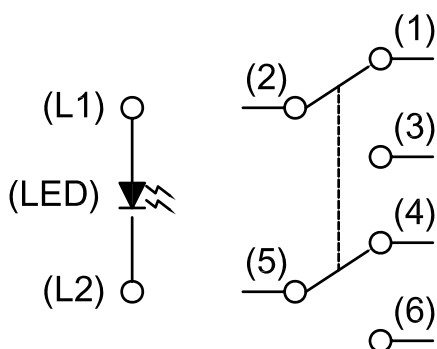
**PB40N22NR3S1AT** 



**PB40N22NR4S1NT** 

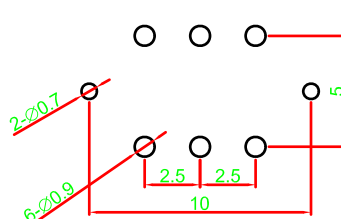


## CIRCUIT DIAGRAM

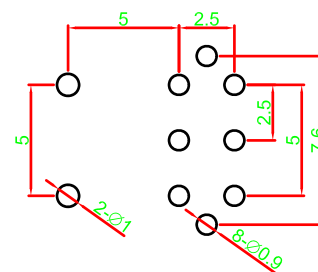


## P.C.B. LAYOUT PCB

STANDARD TYPE



RIGHT ANGLE TYPE



## MATERIAL

- FRAME - PA + GF
- ACTUATOR - PA + GF
- BASE - PA9T + GF
- TERMINAL - BRASS ; SILVER PLATING
- SPRING - STAINLESS STEEL

# Pushbutton Switches

Illuminated Pushbutton Switch with LED

PB40 Series

00 No Printing



Select one printing type ( e.a. **K3** for



	0	1	2	3	4	5	6	7	8	9
A	0	1	2	3	4	5	6	7	8	9
B	A	B	C	D	E	F	G	H	I	J
C	K	L	M	N	O	P	Q	R	S	T
D	U	V	W	X	Y	Z	POWER	ON OFF	ON	OFF
E	OK	Ⓞ	Auto	Enter	Start	STOP	OPEN	CLOSE	Exit	Move
F	SET	Reset	Light	Alarm	Menu	Next	Back	Delete	Motor	Save
G	Up	Down	Right	Left	Test	End	Insert	Lock	Print	+/-
H	ESC	BC.	HOME	Health	D-LED 2	OC GENE	VIDEO INPUT	clr CMOS	Green Power	Save OK
I	B/R +	Undo Cancel	T/L -	F1	F2	F3	F4	F5	F6	F7
J	F8	F9	F10	F11	F12	F13	F14	IN 1	IN 2	IN 3
K	IN 4	IN 5	IN 6	Ⓞ	Ⓞ	Ⓞ	●	⬇	ⓘ	←
L	+	-	×	÷	=	↑	→	≡	⏪	⏩
M	↕	⊗	↻	↻	↻	↻	↑	→	⬆	⇒
N	↑	→	↗	↖	▲	▶	◀	▶	◀	▶
O	■	⏪	◀	◊	◊	◊	◊	◊	◊	◊
P	●●●●	🕒	🕒	✗	✓	Ⓞ	Config.	TIME LINE	ME1	ME2
Q	ME3	ME4	BGND 3D DVE1	BGND 3D DVE2	BUS COLOR	ME BUTTON LINK	*	INSERT ←	WIPE	⊕
R	⏪	ALL	🔧	VP	🔵	COPY	📄			