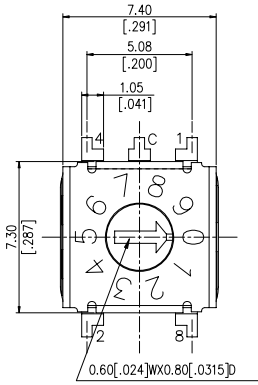


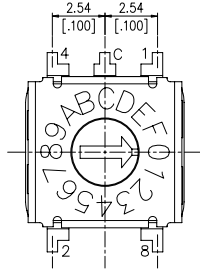
Rotary Switches

7x7 mm Rotary DIP Switch with central C-pin

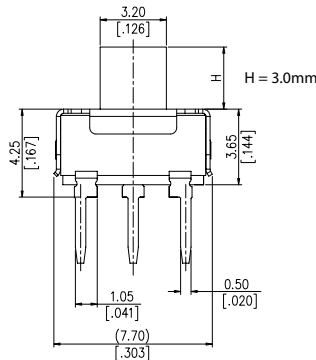
RD18 Series



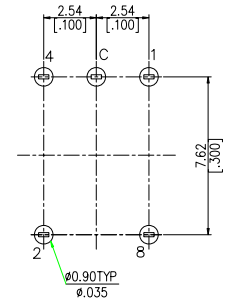
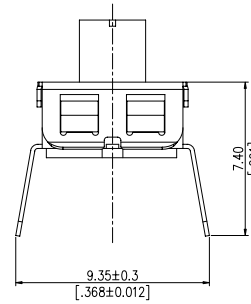
RD18T3_10RHTB



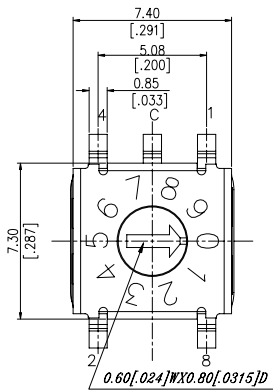
RD18T3_16RHTB



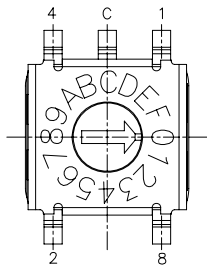
RD18T3H_RHTB



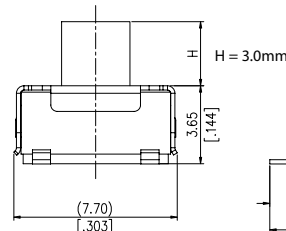
P.C.B. LAYOUT



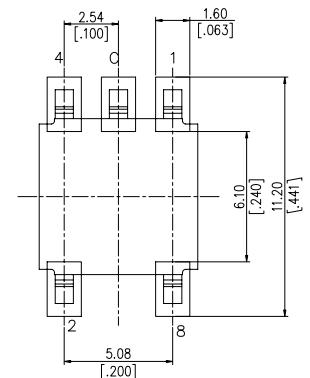
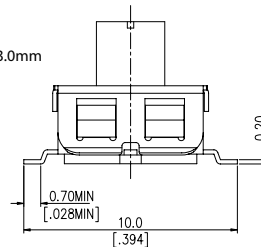
RD18S3_10RH_



RD18S3_16RH_



RD18S3H_RH_



P.C.B. LAYOUT

TYPE	POSITION □□R	CODE			
		1	2	4	8
10 STEP	0	●	●	●	●
	1	○	●	●	●
	2	●	○	●	●
	3	○	○	●	●
	4	●	●	○	●
	5	○	○	○	●
	6	●	○	○	●
	7	○	○	○	●
	8	●	●	●	○
	9	○	●	●	○
16 STEP	A	●	○	●	○
	B	○	○	●	○
	C	●	●	○	○
	D	○	●	○	○
	E	●	○	○	○
	F	○	○	○	○

SPECIFICATIONS:

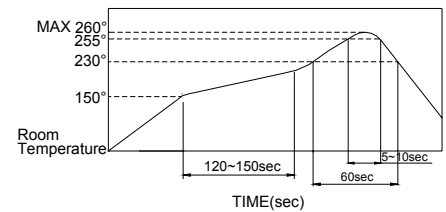
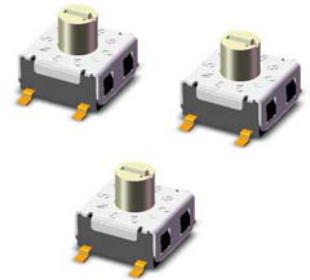
- > Operating Force: 200gf-cm Max.
- > Operating temperature range: -40°C to +85°C
- > Electrical Life: 20,000 cycles
- > Switching Rating: 25mA 24VDC
- > Contact Resistance: 100m ohm initial; 200m ohm (final-after test)
- > Insulation Resistance: 100M ohm Min. at 250VDC
- > Dielectric Strength: 250VAC for 1 minute

MATERIALS:

- > Base: High-temp Thermoplastic UL94V-0, black
- > Actuators: High-temp Thermoplastic UL94V-0, white
- > Contact: Alloy Copper with Gold plated
- > Terminals: Brass with Gold plated
- > Cover: Stainless Steel
- > Seal; Silicone Rubber red
- > Spring Plate: Stainless Steel

SOLDERING:

- > Hand Soldering: Soldering iron of 30W, 350°C 5 sec. Max.
- > Wave Soldering: 260°C 5 sec. Max. (THT)
- > Reflow Soldering (SMT): See drawing.



How to order:

RD18 1 2 3 4 5 6 7

- 1 TYPE OF TERMINALS:**
S Surface Mounting Type
T Thru Hole Type
- 2 TYPE OF PINOUT:**
3 3x2
6 3x3(only for SMT Type)

- 3 ACTUATOR TYPE:**
R Recessed Actuator
H High Actuator(H=3.0mm)
- 4 NO. OF POSITIONS:**
10 10 Positions
16 16 positions

- 5 CODE:**
R Real Code
- 6 Materials**
H Halogen Free

- 7 PACAGING TYPE**
TB Tube
TR Tape & Reel(RD18S only)