

# Tactile Switches

## 3.5x6 mm Thinner Type Tactile Switches

TP20 Series



### MATERIAL

COVER : Nickel silver  
 CONTACT DISC : Stainless with silver cladding  
 TERMINAL : Brass with silver plated  
 BASE : UL94V-0 Nylon High-Temp Thermoplastic  
 COLOR : Black  
 STEM : UL94V-0 Nylon High-Temp Thermoplastic  
 COLOR : Brown (160g) Red (260g)  
 TAPE : Teflon

### SOLDERING PROCESS

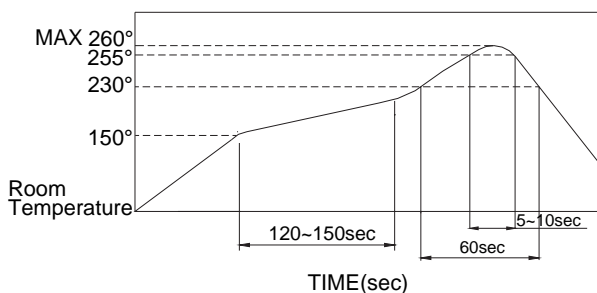
#### HAND SOLDERING:

Use a soldering iron of 30 watts, controlled at 608°F(320°C) approximately 2 seconds while applying solder.

#### REFLOW SOLDERING:

When applying reflow soldering, the peak temperature or the reflow should be set to 260°C max.

#### Temperature Profile :



### SPECIFICATION

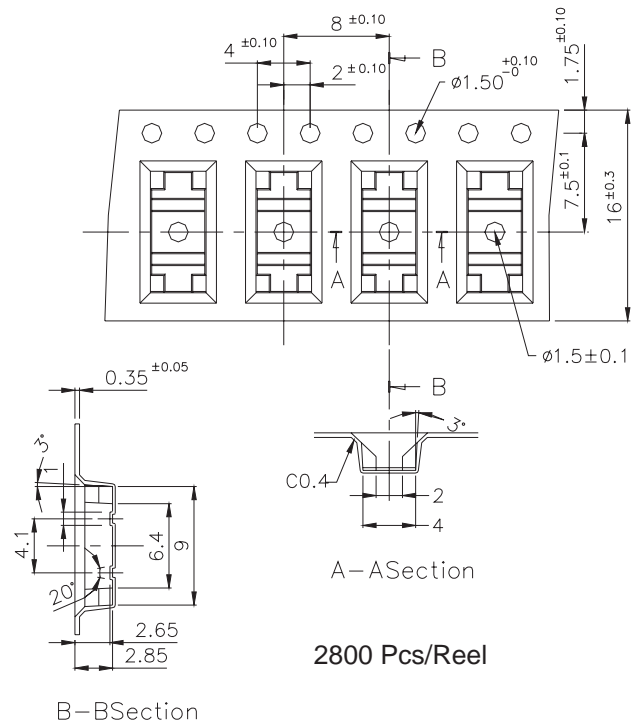
#### MECHANICAL

Stroke:0.25+0.2/-0.1mm  
 Operation Temperature Range: -25°C to +70 °C  
 Storage Temperature Range: -30°C to +80 °C

#### ELECTRICAL

Electrical Life: 50,000 cycles  
 Rating: 50mA, 12VDC  
 Contact Resistance: 100mΩ max.  
 Insulation Resistance: 100M Ω min. at 500 VDC  
 Dielectric Strength: 250VAC/1 minute

### PACKING



2800 Pcs/Reel

General Tolerance : ±0.1mm

### How to order:

TP20

#### 1 TERMINATION TYPE:

M Gull Wing with Ground Terminal  
 J J Bend with Ground Terminal

#### 2 STEM COLOR & OPERATING FORCE :

K Brown & 160±50gf  
 C Red & 260±50gf

#### 3 PACKAGING :

TR Tape & Reel

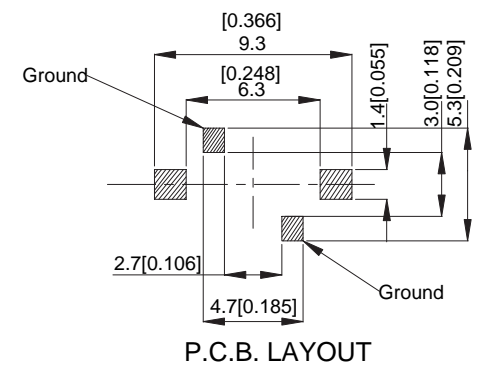
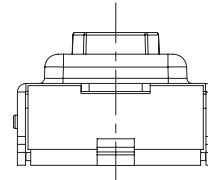
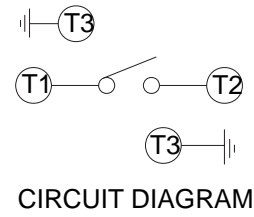
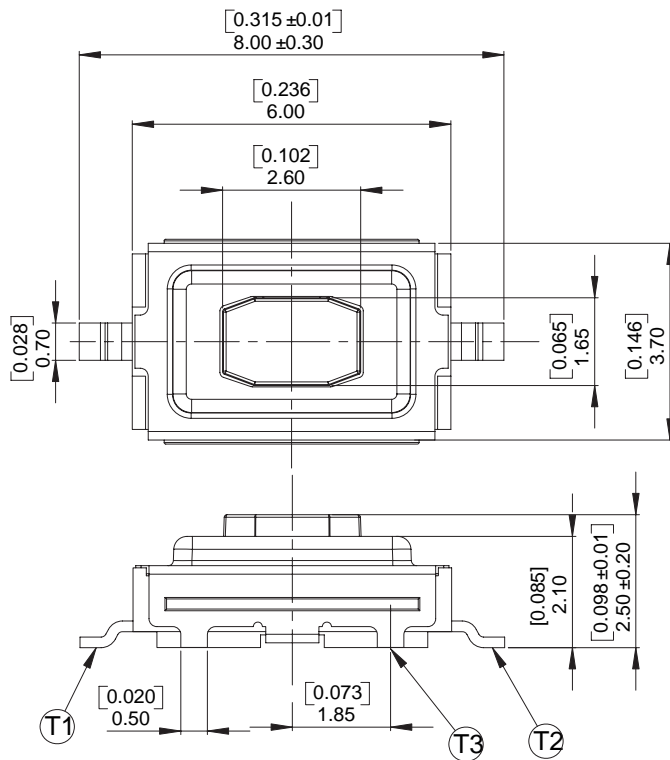
All specifications are restricted to OA test criteria.  
 DRW: D.L. JIN, CHK: D.F. LEE, APP: H.Z. QIU

# Tactile Switches

## 3.5x6 mm Thinner Type Tactile Switches

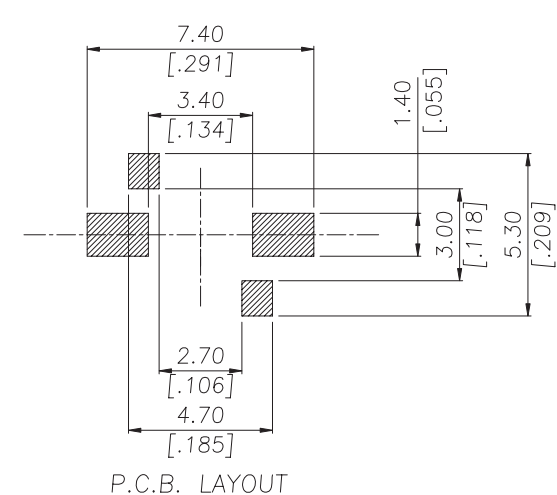
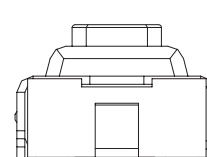
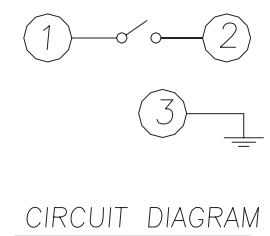
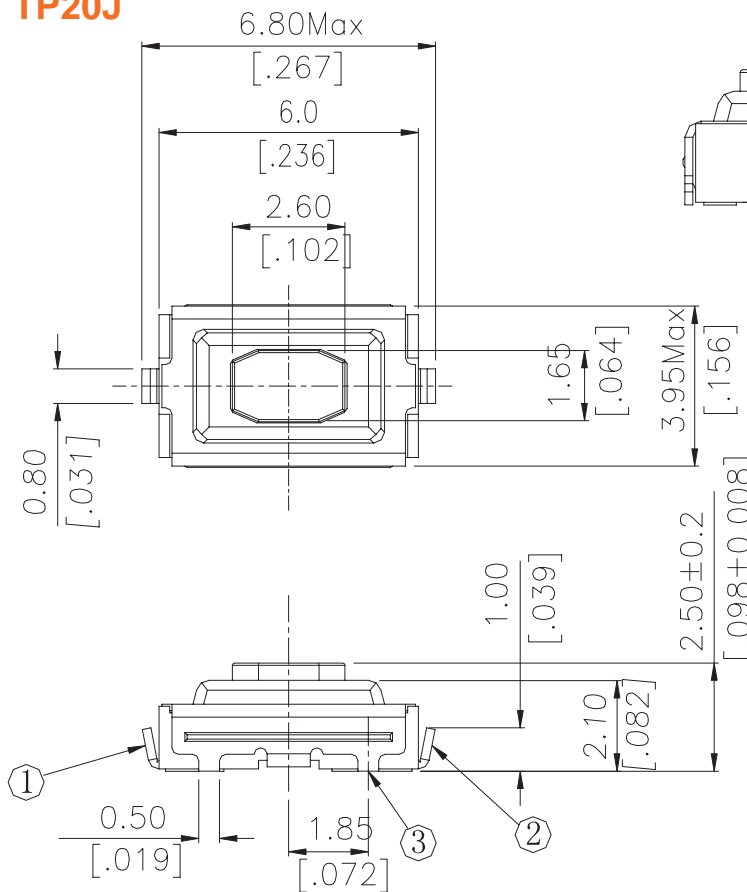
TP20 Series

### TP20M



General Tolerance :  $\pm 0.2\text{mm}$

### TP20J



General Tolerance :  $\pm 0.2\text{mm}$