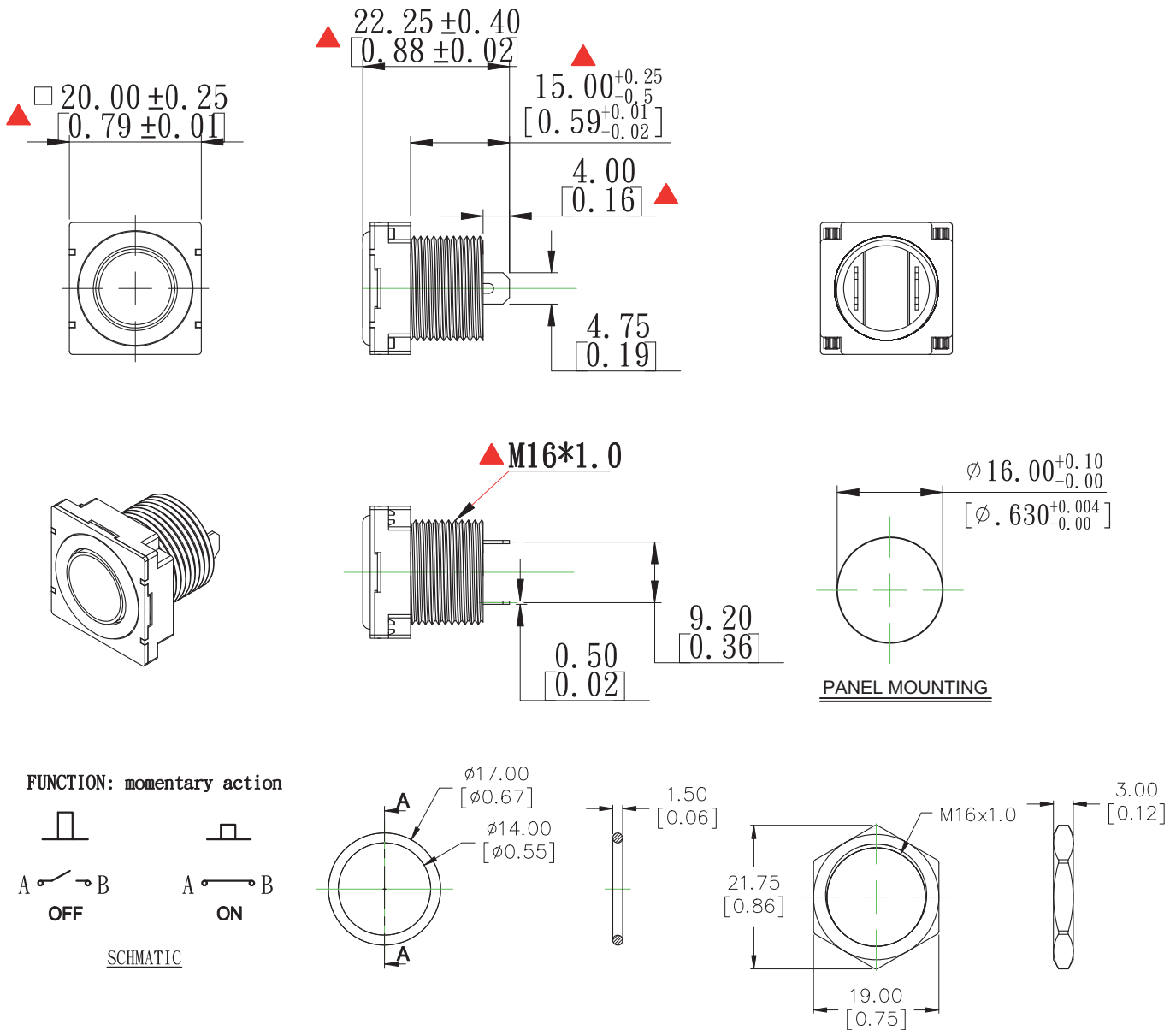


Pushbutton Switches

Pushbutton Switch OFF-MOM

P/N: **PB271ASTSAU85**



SPECIFICATIONS

CONTACT RATING: 0.4Volt-Amps(VA) max. @20V (AC/DC).

ELECTRICAL LIFE: 50,000 cycles.

MECHANICAL LIFE: 100,000 make-and-break cycles.

CONTACT RESISTANCE: 200m Ω max. initial @ 2-4VDC 100mA

INSULATION RESISTANCE: 100 M Ω min.

DIELECTRIC STRENGTH: 1,000 V RMS@sea level.

OPERATING TEMPERATURE: -30°C to 85°C.

OPERATING FORCE: 630 \pm 130gf.

TRAVEL: 0.65 \pm 0.2mm.

PROTECTION: IP67.

PANEL THICKNESS: 1.5mm min. to 5mm max.

TORQUE: 2.2 Nm max. applied to nut.

MATERIALS

ACTUATOR: Silicon.

BUSHING: Nylon 6/6.

HOUSING: Nylon 6/6.

BUTTON: SUS.

CONTACT/TERMINALS:

Copper alloy,
gold plated.

TOLERANCE
0.00 mm \pm 0.25mm
0.0 mm \pm 0.40mm
ANGULAR: \pm 5°

