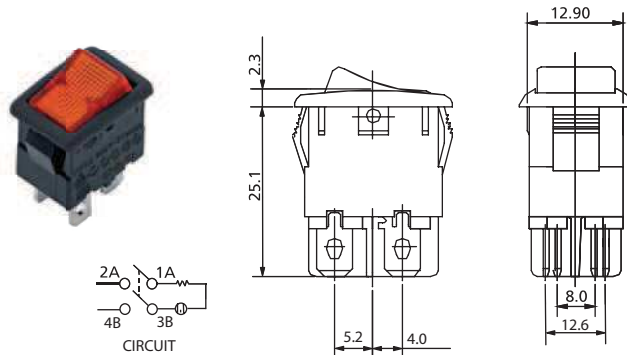


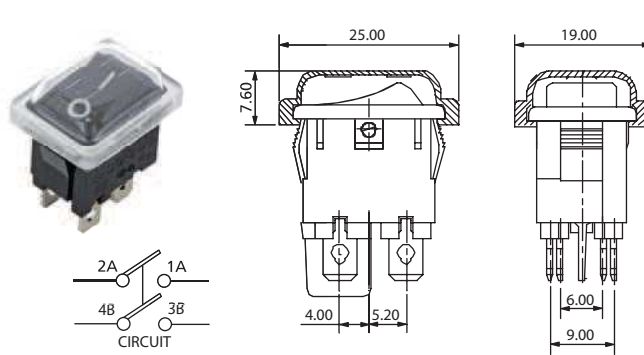
# Rocker Switches

## 21x15mm Rocker Switches

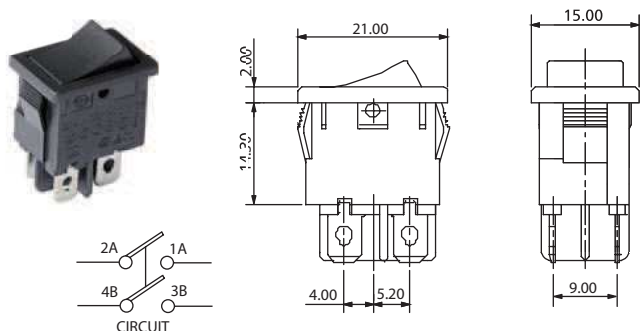
## RK2 Series



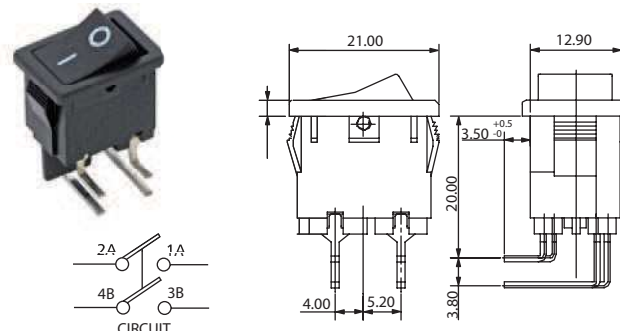
**RK2DL1Q4** \_\_\_N Soft Outlook; Cross Barrier



**RK2DN1Q4** \_\_\_W with Waterproof Cover



**RK2DN1QC4** \_\_\_N with Cross Barrier



**RK2DN1R4** \_\_\_N THT Terminals Right Angle

TERMINAL	ACTUATOR	ACTUATOR MARKING	PANEL SIZE
<b>Q</b> 4.8mm TAB, 0.8mm Thick <b>D</b> Solder Tag <b>R</b> Thru Hole Right Angle <b>H</b> Thru Hole Straight	<b>4</b> Curve  <b>SIZE</b> 	<b>A</b> <b>B</b> OFF ON <b>C</b> <b>D</b> <b>E</b> <b>F</b>	<b>PANEL CUT-OUT</b> Snap-in mounting 

Note: The described Front Panel Mounting Hole is a proposal only and not universally valid. We recommend that customers test the applicability of the Front Panel Mounting Hole with switch samples and define the fitting Front Panel Mounting Hole measurements individually.

### How to order:

RK2

- 1 POLES:**  
S Single Pole (SP)  
D Double Poles (DP)
- 2 ILLUMINATION:**  
N No illuminated  
L Illuminated
- 3 SWITCHING:**  
1 ON - OFF
- 4 TERMINAL (See above drawings):**  
Q 4.8mm TAB, 0.8mm THICK  
QC 4.8mm TAB, 0.8mm THICK with Cross Barrier  
D Solder Tag  
R Thru Hole Right Angle  
H Thru Hole Straight
- 5 ACTUATOR (See above drawings):**  
4 Curve
- 6 ACTUATOR MARKING:**  
A See above drawings  
B See above drawings  
C See above drawings  
D See above drawings  
E See above drawings  
F See above drawings
- 7 BASE COLOR:**  
A Black  
H Grey  
B White
- 8 ACTUATOR COLOR:**  
A Black H Grey B White  
F Green D Orange C Red  
E Yellow
- 9 WATERPROOF COVER:**  
N None Cover (Standard)  
W With Waterproof Cover

### General Specifications:

- FEATURES**  
» Single & double poles rocker switch up to 10(4A) 250VAC
- MATERIALS**  
» Movable Contact Arm: Phosphorus bronze  
» Contact: Silver alloy  
» Terminal: Silver plated copper
- MECHANICAL**  
» Temperature Range: -20°C to +125°C
- ELECTRICAL**  
» Electrical Life: 10,000 cycles  
» Rating: 12A125VAC, 10A250VAC 1/4HP  
10A125VAC, 8A250VAC 1/4HP  
10A250VAC  
10(4)A250V~T125/55  
» Initial Contact Resistance: 20m Ω max.  
» Insulation Resistance: 100M Ω min. at 500VDC