


Rocker Switches

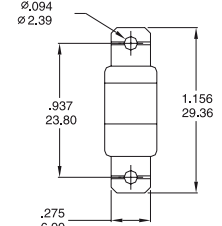
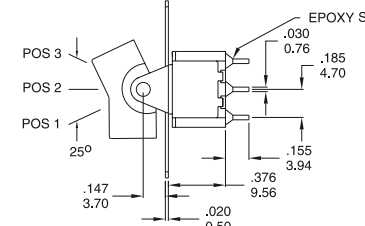
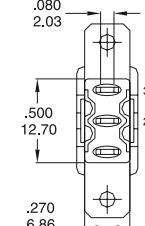
Miniature Rocker & Paddle Switches

RK13 Series


RK13S1A1NANT1AGEV



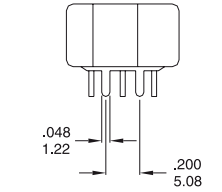
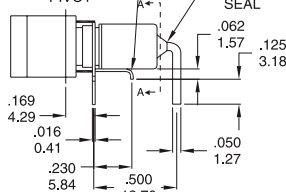
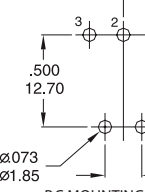
UL version available by request


RK13S1J1NANT6AGEV



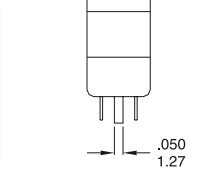
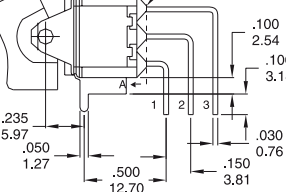
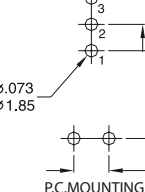
UL version available by request


RK13S1J1NANT7AGEV



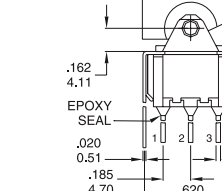
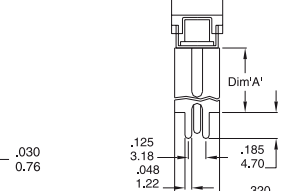
UL version available by request

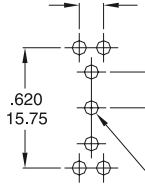
RK13S1J1NANVS2AGEV




UL version available by request

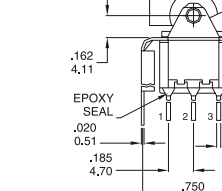
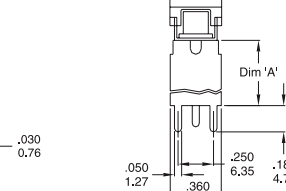
OPTION CODE	DIM. 'A'
VS2	.460 11.68
VS3	.630 16.00



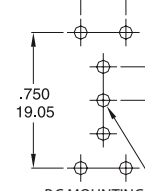
RK13S1J1NANVS4AGEV



UL version available by request

OPTION CODE	DIM. 'A'
VS4	.460 11.68
VS5	.630 16.00



How to order:

RK13 1 2 3 4 5 6 7 8 9

- | | | | | | | | | | | | | | | | | | | | | | | | | | | | | | | | | | | | | | | | | | | | | |
|---|--|---|---------|---|-------|---|-------|---|--|---|--|---|--|---|--|---|--|---|--|---|-------------|---|------|---|-------|---|-------|---|--------|---|--------|---|-----|---|-------|---|------|---|---------|--|--|--|--|--|
| <p>1 POLES & SWITCH FUNCTION:</p> <p>S1 SP ON-NONE-ON
S2 SP ON-NONE-MOM
S3 SP ON-OFF-ON
S4 SP MOM-OFF-MOM
S5 SP ON-OFF-MOM
D1 DP ON-NONE-ON
D2 DP ON-NONE-MOM
D3 DP ON-OFF-ON
D4 DP MOM-OFF-MOM
D5 DP ON-OFF-MOM
D6 DP ON-ON-ON
D7 DP MOM-ON-MOM
D8 DP ON-ON-MOM
T1 3P ON-NONE-ON
T2 3P ON-NONE-MOM
T3 3P ON-OFF-ON
T4 3P MOM-OFF-MOM
T5 3P ON-OFF-MOM
F1 4P ON-NONE-ON
F2 4P ON-NONE-MOM
F3 4P ON-OFF-ON
F4 4P MOM-OFF-MOM
F5 4P ON-OFF-MOM
F6 4P ON-ON-ON
F7 4P MOM-ON-MOM
F8 4P ON-ON-MOM</p> <p>2 ACTUATOR:</p> <p>A1 13.49 Long Rocker (Support)
A2 Lever(Support)
A3 23.01 Long Rocker (Support)
A4 Lever (Support)</p> | <p>3 ACTUATOR MARKING</p> <table border="0"> <tr> <td>A</td><td></td><td>D</td><td></td><td>G</td><td></td></tr> <tr> <td>B</td><td></td><td>E</td><td></td><td>H</td><td></td></tr> <tr> <td>C</td><td></td><td>F</td><td></td><td>N</td><td></td></tr> </table> <p>4 + 5 ACTUATOR & FRAME COLOR</p> <table border="0"> <tr> <td>A</td><td>Black(Std.)</td><td>H</td><td>Grey</td><td>B</td><td>White</td><td>F</td><td>Green</td></tr> <tr> <td>E</td><td>Yellow</td><td>D</td><td>Orange</td><td>C</td><td>Red</td><td>K</td><td>Brown</td></tr> <tr> <td>G</td><td>Blue</td><td>N</td><td>Without</td><td></td><td></td><td></td><td></td></tr> </table> | A | | D | | G | | B | | E | | H | | C | | F | | N | | A | Black(Std.) | H | Grey | B | White | F | Green | E | Yellow | D | Orange | C | Red | K | Brown | G | Blue | N | Without | | | | | <p>6 TERMINALS:</p> <p>T1 Solder Lug
T2 PC Thru-hole
T3 Quick Connect
TS1 18.70 High, Wire Wrap
TS2 24.20 High, Wire Wrap
TS3 10.50 High, Wire Wrap
TS4 26.97 High, Wire Wrap
T6 Right Angle, PC Thru-hole
T6N Right Angle, Snap-in PC Thru-hole
T7 Vertical Right Angle, PC Thru-hole
T7N Vertical Right Angle, Snap-in, PC Thru-hole
VS2 11.68 High, V-bracket
V2N 11.68 High, Snap-in, V-bracket
VS3 16.00 High, V-bracket
VS4 11.68 High, V-bracket
VS5 16.00 High, V-bracket</p> <p>7 CONTACT MATERIAL:</p> <p>AG Silver
AU Gold
UT Gold, Tin-lead
GT Silver, Tin-lead
UG Gold over Silver
UGT Gold over Silver, Tin-lead</p> <p>8 SEAL:</p> <p>E Epoxy (Standard)
N No Epoxy</p> <p>9 ROHS & LEAD FREE:</p> <p>RoHS compliant
RoHS & lead free</p> |
| A | | D | | G | | | | | | | | | | | | | | | | | | | | | | | | | | | | | | | | | | | | | | | | |
| B | | E | | H | | | | | | | | | | | | | | | | | | | | | | | | | | | | | | | | | | | | | | | | |
| C | | F | | N | | | | | | | | | | | | | | | | | | | | | | | | | | | | | | | | | | | | | | | | |
| A | Black(Std.) | H | Grey | B | White | F | Green | | | | | | | | | | | | | | | | | | | | | | | | | | | | | | | | | | | | | |
| E | Yellow | D | Orange | C | Red | K | Brown | | | | | | | | | | | | | | | | | | | | | | | | | | | | | | | | | | | | | |
| G | Blue | N | Without | | | | | | | | | | | | | | | | | | | | | | | | | | | | | | | | | | | | | | | | | |

General Specifications:

MATERIALS

- » Movable Contact & Fixed Terminals:
AG, GT, UG & UGT: Silver plated over copper alloy
AU & UT: Gold over nickel plated over copper alloy
- » Actuator: Nylon
- » Bushing: Brass, nickel plated
- » Housing: Stainless Steel
- » Switch Support: Brass, tin plated

MECHANICAL

- » Operating Temperature: -30°C to +85°C
- » Mechanical Life: 40,000 cycles

CONTACT RATING

- » AG, GT, UG & UGT: 5A 120VAC/28VDC
2A 250VAC
- » AU & UT: 0.4 VA max. 20V max. (AC/DC)

ELECTRICAL

- » Contact Resistance: 10m Ω max. initial @ 2-4VDC for both silver & gold plated contacts
- » Insulation Resistance: 1,000M Ω min
- » Dielectric Strength : 1,000V RMS@sea level

Rocker Switches

Miniature Rocker & Paddle Switches

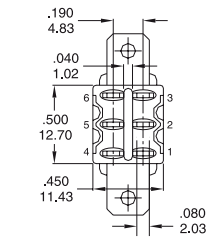
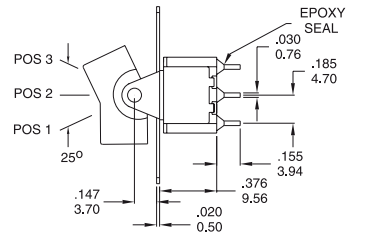
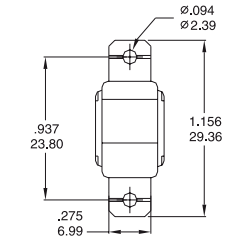
RK13 Series



UL version available by request



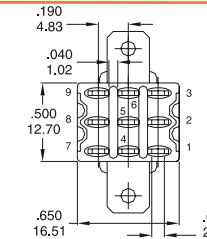
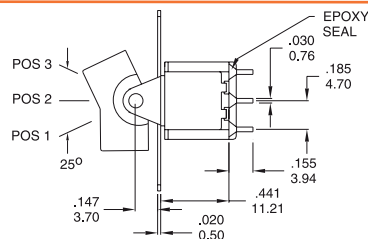
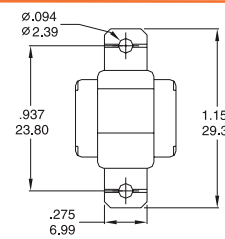
RK13D1A1NANT1AGEV



UL version available by request



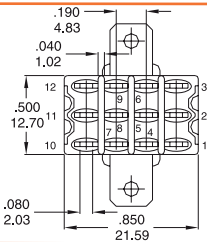
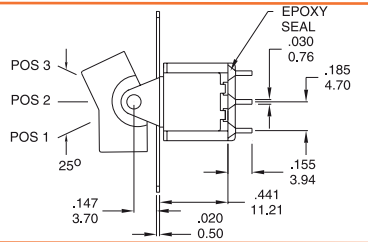
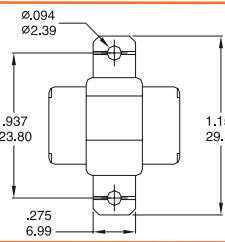
RK13T1A1NANT1AGEV



UL version available by request



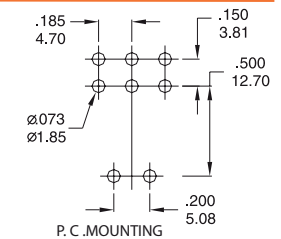
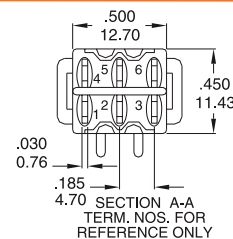
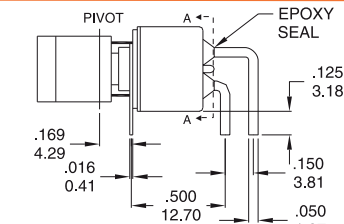
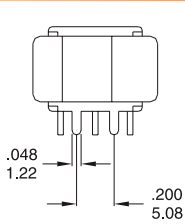
RK13F1A1NANT1AGEV



UL version available by request



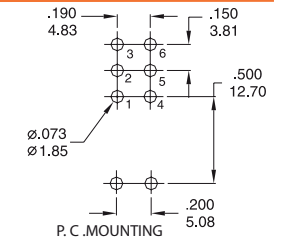
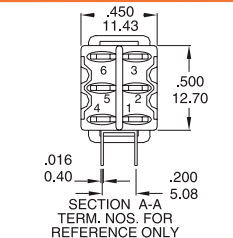
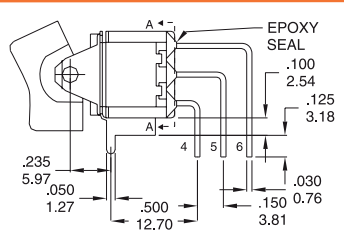
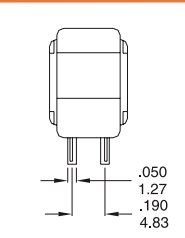
RK13D1J1NANT6AGEV



UL version available by request



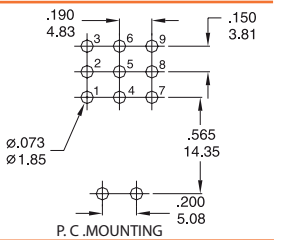
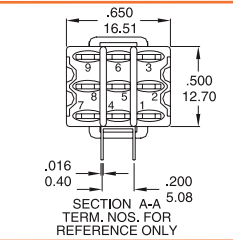
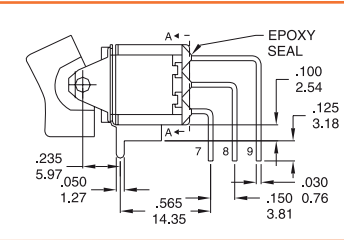
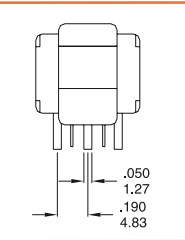
RK13D1J1NANT7AGEV



UL version available by request



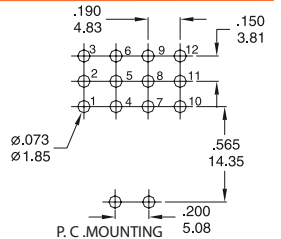
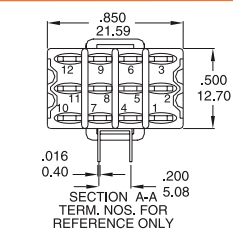
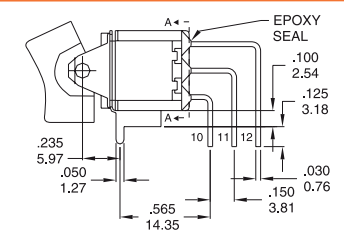
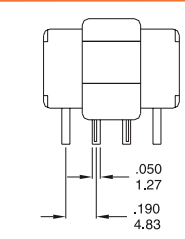
RK13T1J1NANT7AGEV



UL version available by request



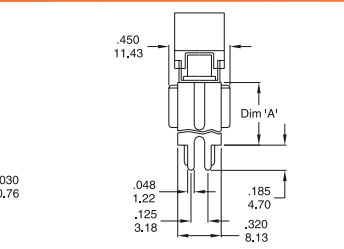
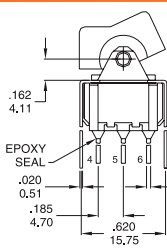
RK13F1J1NANT7AGEV



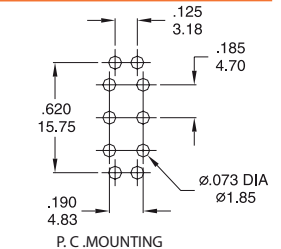
UL version available by request



RK13D1J1NANVS2AGEV



OPTION CODE	DIM. 'A'
VS2	.460 11.68
VS3	.630 16.00



Rocker Switches

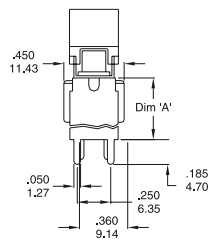
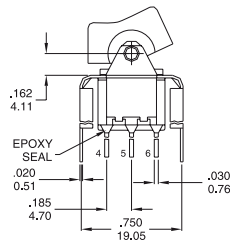
Miniature Rocker & Paddle Switches

RK13 Series

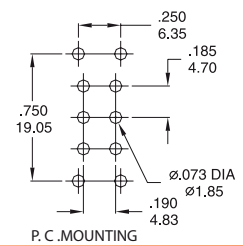
UL version available by request



RK13D1J1NANVS5AGEV



OPTION CODE	DIM. 'A'
VS4	.460 11.68
VS5	.630 16.00



SWITCH FUNCTION

NO. POLES	MODEL NO.	SWITCH FUNCTION			CONNECTED TERMINALS / SCHEMATIC			
		POS.1	POS.2	POS.3	POS.1	POS.2	POS.3	
SP	S1	ON	NONE	ON		N/A		
	S2	ON	NONE	MOM				
	S3	ON	OFF	ON				
	S4	MOM	OFF	MOM				
	S5	ON	OFF	MOM				
DP	D1	ON	NONE	ON		N/A		
	D2	ON	NONE	MOM				
	D3	ON	OFF	ON				
	D4	MOM	OFF	MOM				
	D5	ON	OFF	MOM				
	▲	D6	ON	ON				ON
	▲	D7	MOM	ON				MOM
	D8	ON	ON	MOM				
3P	T1	ON	NONE	ON		N/A		
	T2	ON	NONE	MOM				
	T3	ON	OFF	ON				
	T4	MOM	OFF	MOM				
	T5	ON	OFF	MOM				
4P	F1	ON	NONE	ON		N/A		
	F2	ON	NONE	MOM				
	F3	ON	OFF	ON				
	F4	MOM	OFF	MOM				
	F5	ON	OFF	MOM				
	▲	F6	ON	ON				ON
	▲	F7	MOM	ON				MOM
	F8	ON	ON	MOM				

MOM=MOMENTARY

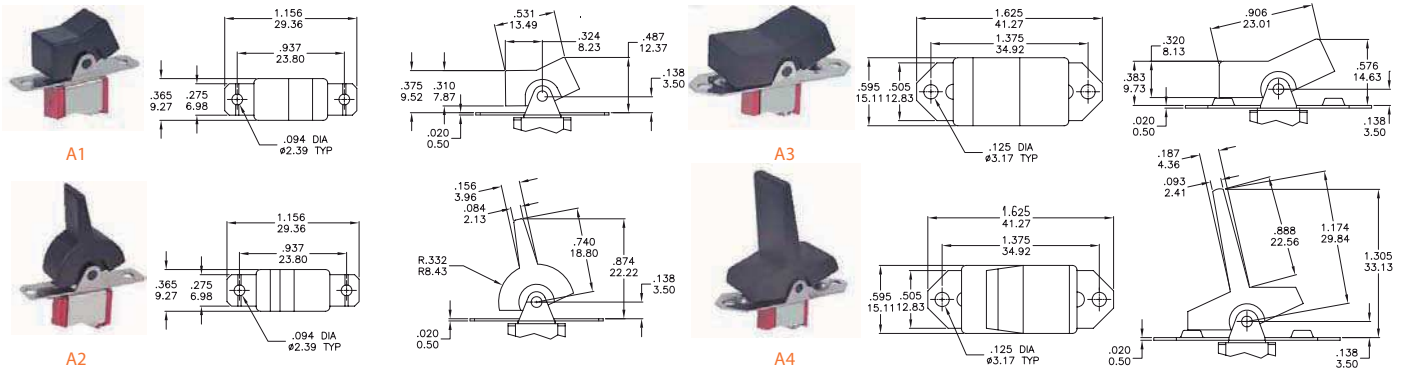
▲ Please check the availability in advance before order

Rocker Switches

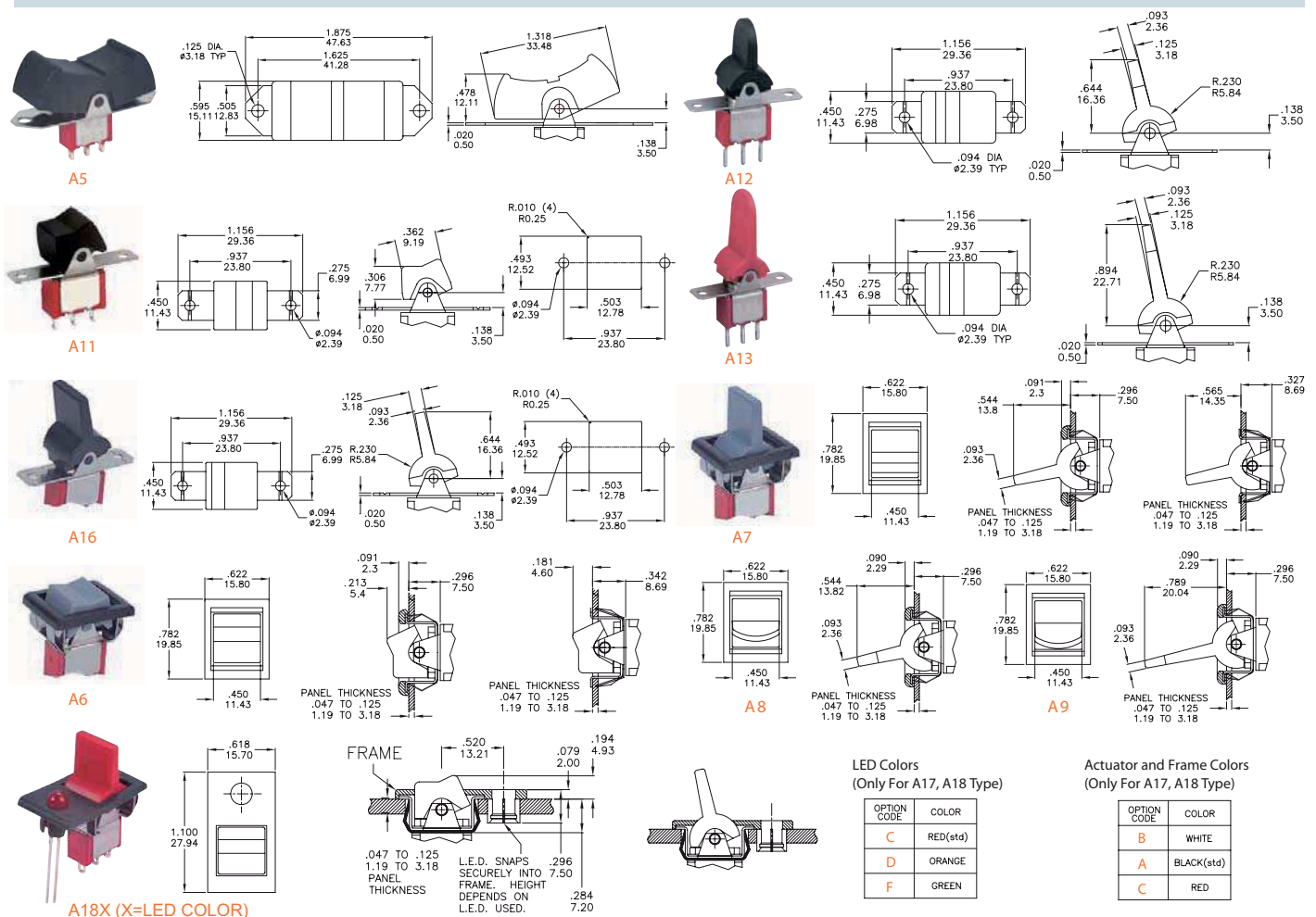
Miniature Rocker & Paddle Switches

RK13 Series

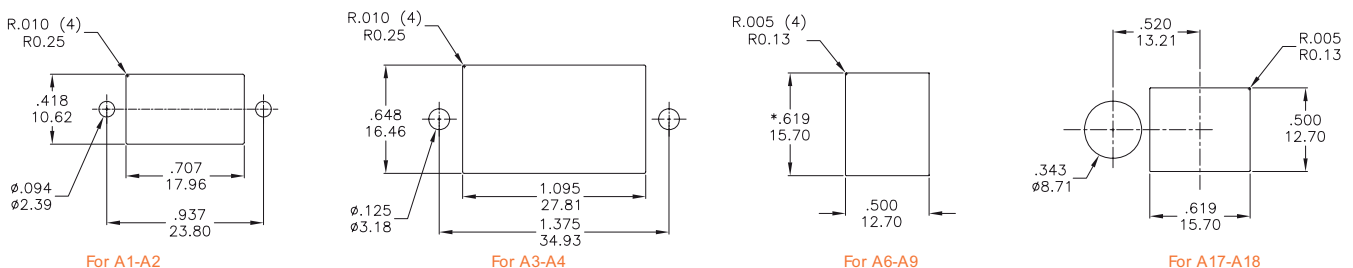
ACTUATOR OPTIONS FOR PANEL MOUNT ONLY



ACTUATOR OPTIONS SNAP-IN FRONT MOUNT



RECOMMENDED MOUNTING



*For A8 and A9: Increase this dim. to .620/.625(15,75/15,88) for .091/.125 (2,31/3,18) thk. panels.

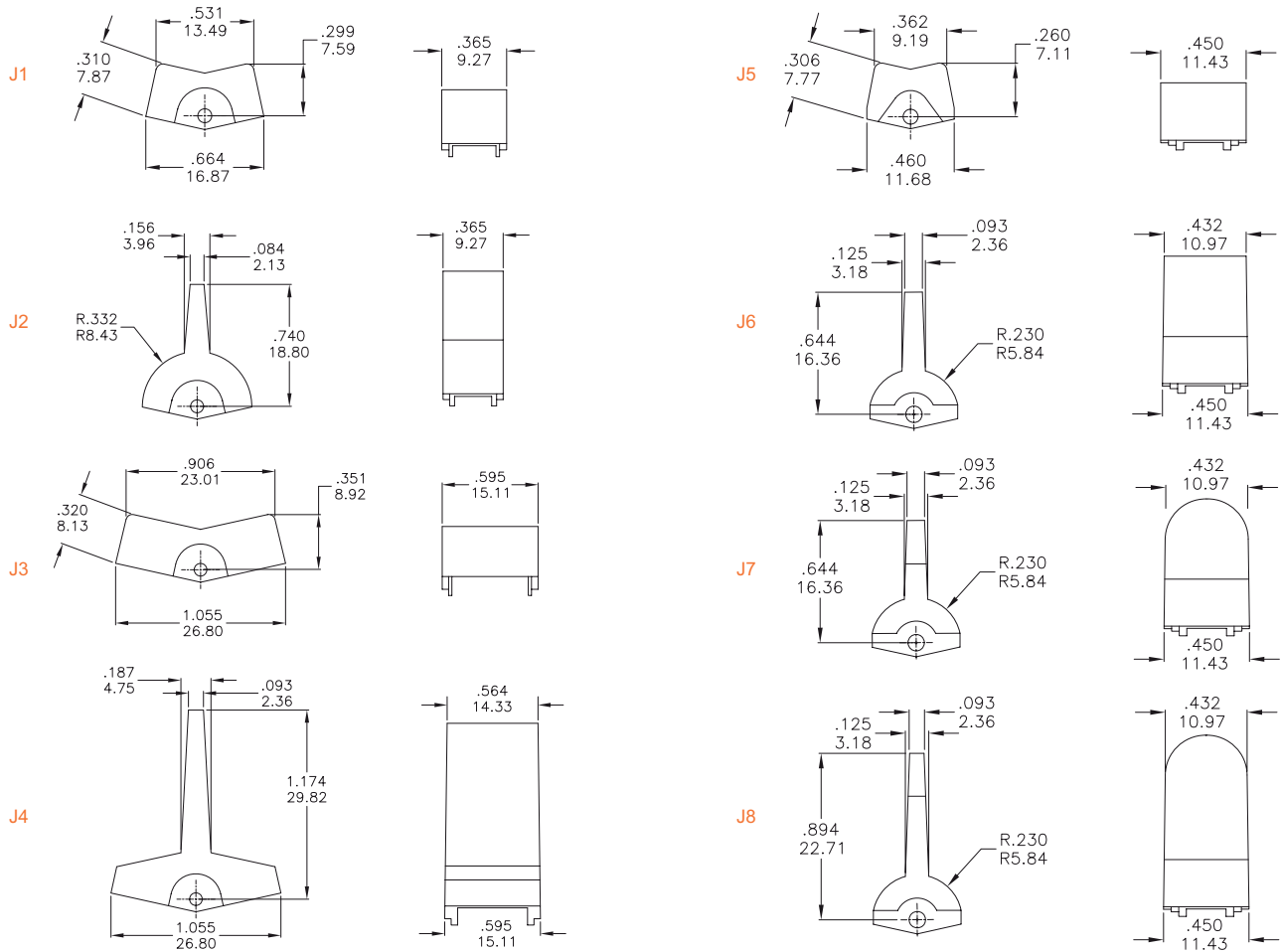
* For A6 and A7: Increase this dim. to .620/.625(15,75/15,88) for .060/.125 (1,52/3,18) thk. panels.

Rocker Switches

Miniature Rocker & Paddle Switches

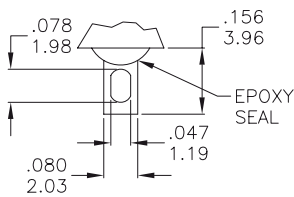
RK13 Series

ACTUATOR OPTIONS FOR P. C. MOUNT ONLY



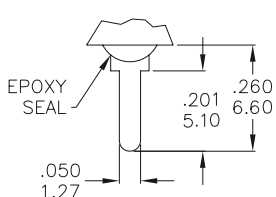
TERMINATION OPTIONS

T1 SOLDER LUG



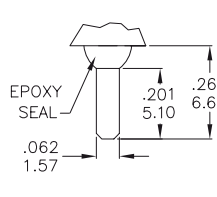
THK .030(0.76)

T2 PC THRU - HOLE



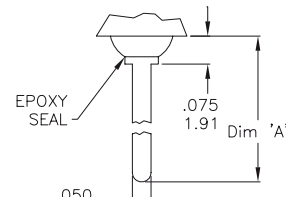
THK .030(0.76)

T3 QUICK CONNECT



THK .030(0.76)

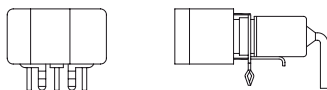
T5 WIRE WRAP



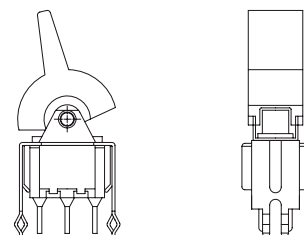
THK .030(0.76)

OPTION CODE	DIM. 'A'
T51	.737(18.70)
T52	.953(24.20)
T53	.415(10.55)
T54	1.062(26.97)

SNAP - IN TERMINATION OPTIONS



T6N



V2N