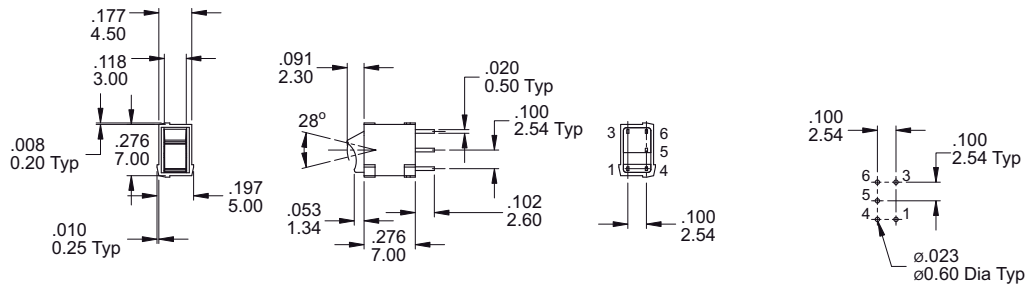


# Rocker Switches

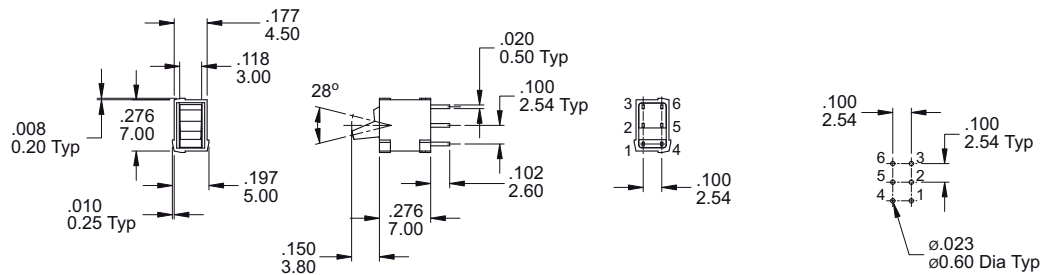
## Sub-Miniature Rocker Switches

## RK39 Series

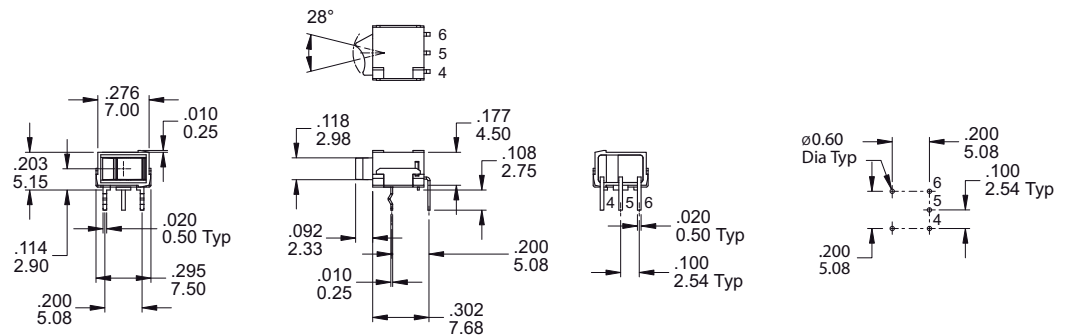


RK39S1A1CAT2AUNV

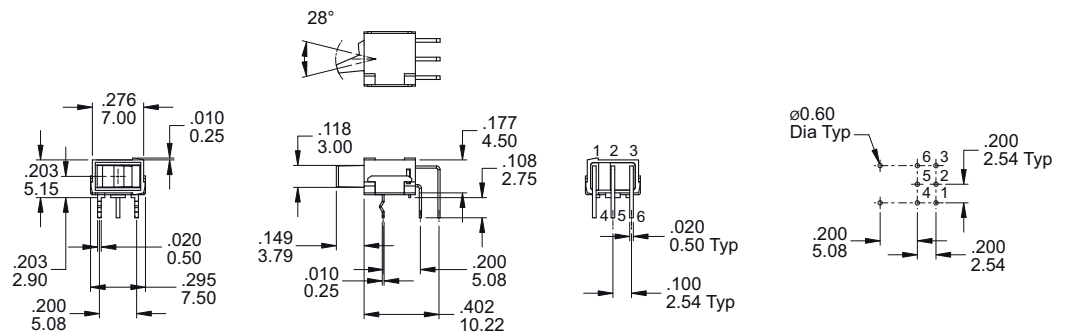
Note: Pins 1 and 3 not connected



RK39D1A2CAT2AUNV



RK39S1A1CAT6AUNV



RK39S1A1CAT6AUNV

### How to order:



- |                                   |                                       |
|-----------------------------------|---------------------------------------|
| <b>1</b> POLES & SWITCH FUNCTION: | <b>5</b> TERMINATIONS                 |
| S1 SP ON-NONE-ON                  | T2 PC Thru Hole                       |
| D1 DP ON-NONE-ON                  | T6 PC Thru Hole, Right Angle          |
|                                   | T7 PC Thru Hole, Vertical Right Angle |
| <b>2</b> ACTUATOR:                | <b>6</b> TERMINAL PLATING:            |
| A1 Rocker                         | AU Gold                               |
| A2 Lever                          |                                       |
| <b>3</b> HOUSING COLOR:           | <b>7</b> SEAL:                        |
| C Red(Std.)                       | N NO Epoxy (Std.)                     |
|                                   | E Epoxy                               |
| <b>4</b> ACTUATOR COLOR:          | <b>8</b> ROHS & LEAD FREE             |
| A Black(Std.) H Grey B White      | V RoHS Compliant & Lead Free          |
| F Green D Orange C Red            |                                       |
| E Yellow K Brown G Blue           |                                       |

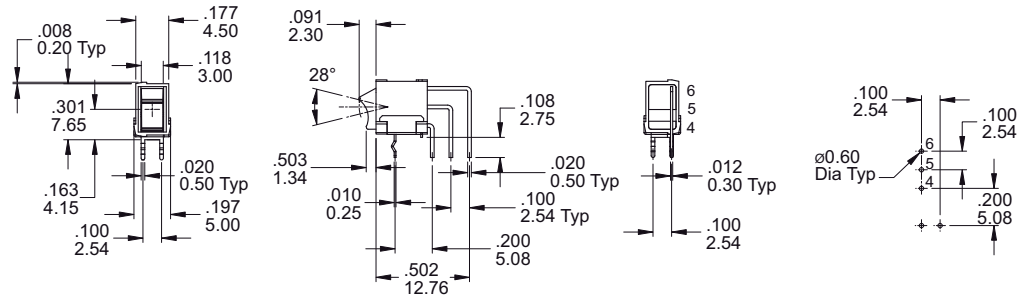
### General Specifications:

- CONTACT RATING:** 0.4 VA max. @ 20 V AC or DC max.
- MECHANICAL LIFE:** 40,000 make-and-break cycles.
- CONTACT RESISTANCE:** Below 100 m $\Omega$  typ. (initial value) @ 2-4VDC, 100mA.
- INSULATION RESISTANCE:** 500M $\Omega$  min/500VDC
- DIELECTRIC STRENGTH:** 500 Vrms min@sea level. (initial value)
- OPERATING TEMPERATURE:** -30°C to 85°C.
- MATERIALS**
- HOUSING & BASE :** Glass filled nylon 6/6 or 4/6, flame retardant, heat stabilized(UL94V-0).
- ACTUATOR:** Glass filled nylon 6/6, flame retardant, heat stabilized (UL94V-0).
- SWITCH SUPPORT:** Brass with tin plate
- CONTACT:** Phosphor bronze with gold plated over nickel plated.
- TERMINALS:** Brass with gold plated over nickel plated.

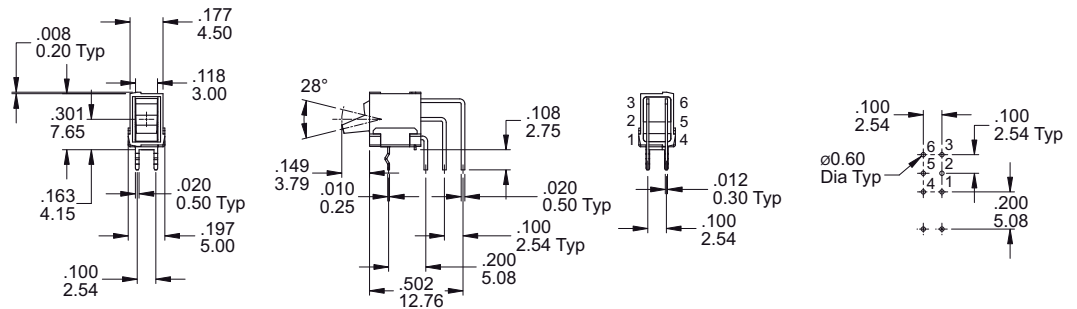
# Rocker Switches

## Sub-Miniature Rocker Switches

## RK39 Series



RK39S1A1CAT7AUNV



RK39D1A2CAT7AUNV

### SWITCH FUNCTION

NO. POLES	MODEL NO.	SWITCH FUNCTION			CONNECTED TERMINALS / SCHEMATIC			
		POS.1	POS.2	POS.3	POS.1	POS.2	POS.3	
SP	RK39S	ON	NONE	ON	5-6 	N/A	5-4 	
P	DRK39D1	N	O	E	N	NO	ON 5-6,2-3 	A / N 5-4,2-1 

### SOLDERING PROCESS

WAVE SOLDERING: Recommend soldering temperature:  $260 \pm 5^{\circ}\text{C}$

Duration of solder immersion: Max. 5 sec. (PCB thickness is 1.6mm)