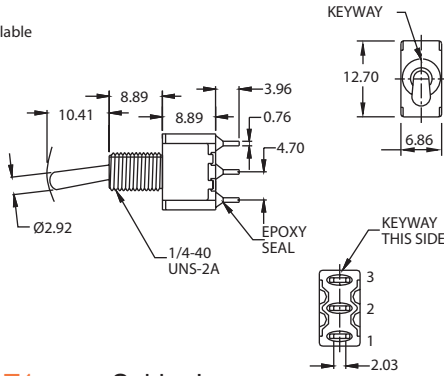


Toggle Switches

Miniature SPDT Toggle Switches

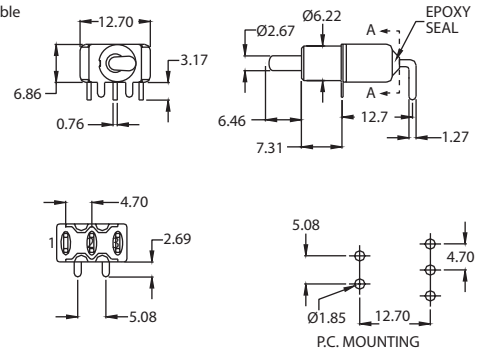
TK11 Series

UL version available by request



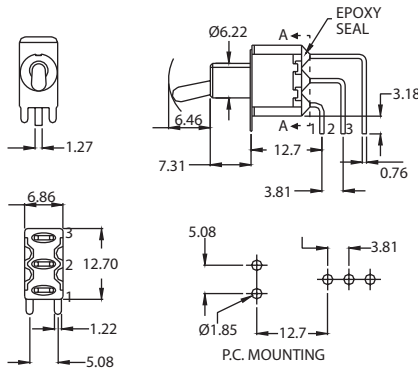
TK11S_A1B1T1 Solder Lug

UL version available by request



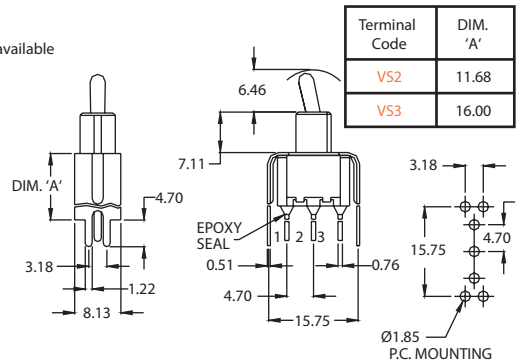
TK11S_A2B4T6 THT Right Angle

UL version available by request



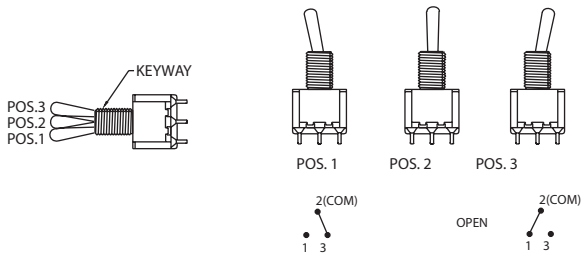
TK11S_A2B4T7 THT Vertical Right Angle

UL version available by request



TK11S_A2B4VS with V-Bracket

Example Model Single Pole 3 Positions: 3-Way Wiring Diagram Schematics



Model No.	Position 1	Position 2	Position 3
	TK11S1-TK11S2	2-3	N/A
TK11S3-TK11S5	2-3	OPEN	2-1

How to order:

TK11

- 1 POLES & SWITCH FUNCTION:**
 - S1 SP ON-NONE-ON
 - S2 SP ON-NONE-MOM
 - S3 SP ON-OFF-ON
 - S4 SP MOM-OFF-MOM
 - S5 SP ON-OFF-MOM
- 2 ACTUATOR (Details see page A04):**
 - A1 Height = 10.41 mm
 - A2 Height = 5.08 mm
 - A3 Height = 13.97 mm
 - A4 Height = 16.26 mm
 - A5 Height = 21.34 mm
 - A6 Height = 12.30 mm, flattened, anti-rotation
 - A61 Height = 21.00 mm, flattened, anti-rotation
 - A62 Height = 13.49 mm, lever with cap, anti-rotation
 - A63 Height = 6.35mm, flattened, anti-rotation
 - A7 Height = 12.37 mm, 15/32 bushing
 - A8 Height = 17.56 mm, 15/32 bushing
 - A88 Height = 17.5 mm, only with B52 bushing
 - A9 Height = 21.3 mm, plastic
 - AL1 Height = 16.00 mm, locking lever
 - AL2 Height = 16.26 mm, locking lever
 - AL3 Height = 17.28 mm, locking lever
- 3 BUSHING (Details see page A04):**
 - B1 Height = 8.89 mm, keyway (thd standard)
 - B2 Height = 8.89 mm, keyway (non-thd)
 - B3 Height = 7.10 mm, keyway (thd)
 - B4 Height = 7.10 mm, keyway (non-thd)
 - B5 Height = 7.52 mm, flat (high torque)
 - B6 Height = 8.00 mm, keyway (high torque)
 - B7 Height = 8.89 mm, flat (thd standard)
 - B8 Height = 8.89 mm, keyway (metric thd)
 - B9 Height = 7.52 mm, flat (splash proof)
 - B11 Height = 7.55 mm, keyway (thd standard)
 - B12 Height = 7.55 mm, keyway (non-thd)
 - B13 Height = 11.38 mm, keyway (15/32 bushing)
 - B14 Height = 11.9 mm, flat (15/32 bushing, splash proof)
 - B15 Height = 7.55 mm, flat (thd standard)
 - B16 Height = 7.55 mm, flat (non-thd)
- 4 TERMINALS (Details see page A04):**
 - T1 Solder Lug
 - T2 PC Thru Hole
 - T3 Quick Connect
 - T51 Wire W rap, Length = 18.70 mm
 - T52 Wire Wrap, Length = 24.20 mm
 - T53 Wire Wrap, Length = 10.55 mm
 - T54 Wire Wrap, Length = 26.97 mm
 - T6 PC Thru Hole, Right Angle
 - T6N PC Thru Hole, Right Angle, Snap-in
 - T7 PC Thru Hole, Vertical Right Angle
 - V-Bracket, Height = 11.68 mm
 - V2N Snap-in V-Bracket, Height = 11.68 mm
 - VS3 V-Bracket, Height = 16.00 mm
 - VS4 V-Bracket, Height = 11.68 mm
 - VS5 V-Bracket, Height = 16.00 mm
- 5 CONTACT MATERIAL:**
 - AG Silver
 - AU Gold
 - UT Gold, Tin-Lead
 - UG Silver, Tin-Lead
 - UGT Gold over Silver, Tin-Lead
- 6 SEAL:**
 - E Epoxy (Standard)
 - N No Epoxy
- 7 ROHS & LEAD FREE:**
 - V RoHS Compliant & Lead Free
- B17** Height = 3.50 mm, keyway
- B18** Height = 11.38 mm, keyway (15/32 bushing, POM insert)
- B20** Height = 11.38 mm, keyway (15/32 bushing)
- B25** Height = 8.00 mm, keyway, locking lever (thd)
- B26** Height = 8.00 mm, keyway, locking lever (non-thd)
- B52** Height = 11.7 mm, flat (15/32 bushing, only with A88)

General Specifications:

MATERIALS

» Movable Contact & Fixed Terminals:

AG, GT, UG & UGT: Silver plated over copper alloy

AU & UT: Gold over nickel plated over copper alloy

MECHANICAL

» Operating Temperature: -40°C to +85°C

» Mechanical Life: 40,000 cycles

CONTACT RATING

» AG, GT, UG & UGT: 5A120VAC/28VDC

2A250VAC

» AU & UT: 0.4VA max. 20V max. (AC/DC)

ELECTRICAL

» Contact Resistance: 10m Ω max. initial @ 2-4VDC

100mA for silver & gold plated contacts

» Insulation Resistance: 1,000MΩ min.

Toggle Switches

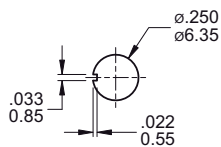
Additional Informations for TK11, 12 & 13 Series

TERMINAL OPTIONS

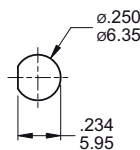
T1 Solder Lug	T2 THT	T3 Quick Connect	T5_ Wire Wrap	T6N Right Angle, Snap-in, THT	V2N Snap-in, V-Bracket

PANEL MOUNTING

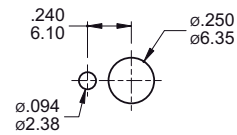
1/4 IN BUSHING



Without locking ring (Keyway)



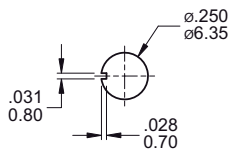
Without locking ring (Flat)



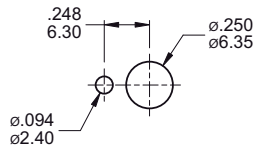
With standard locking ring.

METRIC BUSHING

Note: For B8 bushing.

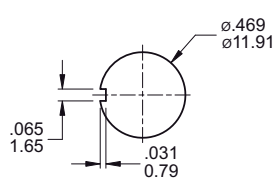


Without locking ring (Keyway)

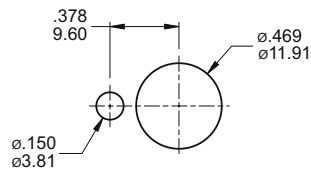


With standard locking ring.

15/32 IN BUSHING



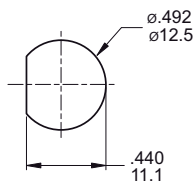
Without locking ring (Keyway).



With standard locking ring.

SPLASH PROOF BUSHING

Note: For B14 bushing.



Without locking ring (Flat).