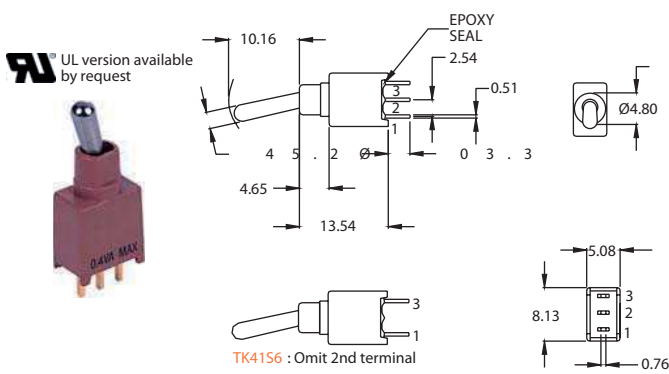


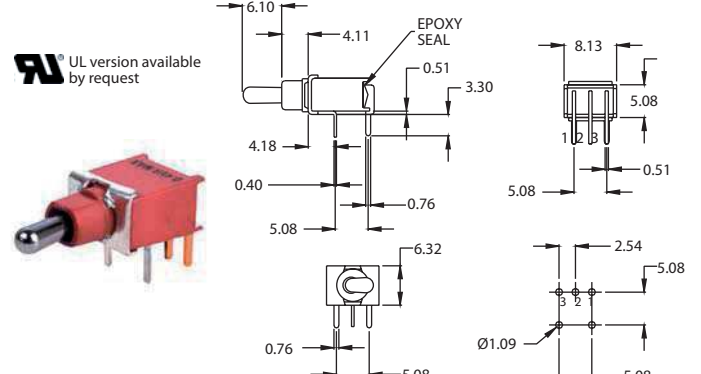
Toggle Switches

Sealed Sub-Miniature SPDT Toggle Switches

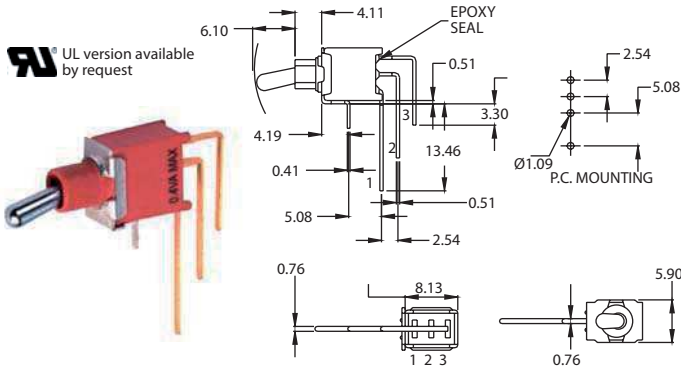
TK41 Series



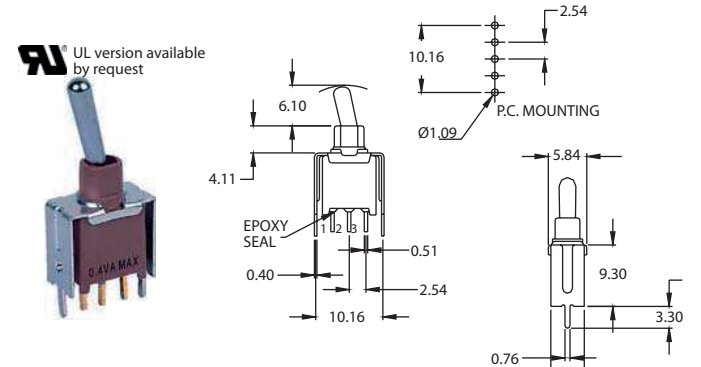
TK41S1A1B1T2_E_THT



TK41S1A2B1T6_E_THT Right Angle



TK41S3A2B1T7_E_THT Vertical Right Angle



TK41S1A2B1VS2_E_V-Bracket

No. Poles	Model No.	Switch Function			Connected Terminals / Schematic		
		Position 1	Position 2	Position 3	Position 1	Position 2	Position 3
SP	TK41S1	ON	NONE	ON		N/A	
SP	TK41S2	ON	NONE	MOM			
SP	TK41S3	ON	OFF	ON			
SP	TK41S4	MOM	OFF	MOM			
SP	TK41S5	ON	OFF	MOM			
SP	TK41S6	OFF	NONE	ON	OPEN	N/A	3-1

How to order:

TK41

- 1 POLES & SWITCH FUNCTION:**
S1 SP ON-NONE-ON
S2 SP ON-NONE-MOM
S3 SP ON-OFF-ON
S4 SP MOM-OFF-MOM
S5 SP ON-OFF-MOM
S6 SP OFF-NONE-ON

- 2 ACTUATOR (See page A14):**
A1 Height = 10.16 mm
A2 Height = 6.10 mm
A3 Height = 8.13 mm
A4 Height = 13.97 mm
AA Height = 10.16 mm, plastic, anti-static
AB Height = 6.10 mm, plastic, anti-static

- 3 BUSHING (See page A14):**
B1 Height = 4.65 mm
B3 Height = 5.00 mm

- 4 TERMINALS (See page A14):**
T2 PC Thru Hole
T5 Wire Wrap
T6 PC Thru Hole Right Angle
T6N PC Thru Hole Right Angle Snap-In

- T7** PC Thru Hole, Vertical Right Angle
T7N PC Thru Hole, Vertical Right Angle, Snap-in
VS2 V-Bracket, Height=9.30mm
V2N Snap-in V-Bracket, Height=9.30mm

- 5 CONTACT MATERIAL:**
AG Silver
AU Gold
UT Gold, Tin-Lead
GT Silver, Tin-Lead
UG Gold over Silver
UGT Gold over Silver, Tin-Lead

- 6 SEAL:**
E Epoxy (Standard)

- 7 ROHS & LEAD FREE:**
blank RoHS Compliant (Standard)
V RoHS Compliant & Lead Free

General Specifications:

MATERIALS

» Movable Contact & Fixed Terminals:

- AG, GT, UG & UGT:** Silver plated over copper alloy
- AU & UT:** Gold over nickel plated over copper alloy

MECHANICAL

- » Operating Temperature: -30°C to +85°C
- » Mechanical Life: 30,000 cycles
- » Degree of Protection: IP67

CONTACT RATING

- » **AG, GT, UG & UGT:** 3A120VAC/28VDC
1A250VAC
- » **AU & UT:** 0.4VA max. 20V max. (AC/DC)

ELECTRICAL

- » Contact Resistance: 10mΩ max. initial @ 2-4VDC
100mA for silver & gold plated contacts
- » Insulation Resistance: 1,000M Ω min.

Toggle Switches

Additional Informations for TK41 & TK42 Series

ACTUATOR OPTIONS

A1	A2	A3	A4	AA	AB
Actuator shown with B1 Bushing, sub 0.34 for B3 Bushing				ESD Plastic Actuator	

BUSHING OPTIONS

B1 For SPDT only	B2 For DPDT only	B3 For SPDT only

TERMINAL OPTIONS

	Other Terminals see the pages of series
T2 PC Thru Hole	T6, T6N, T7, VS2

T6N	T7N	V2N