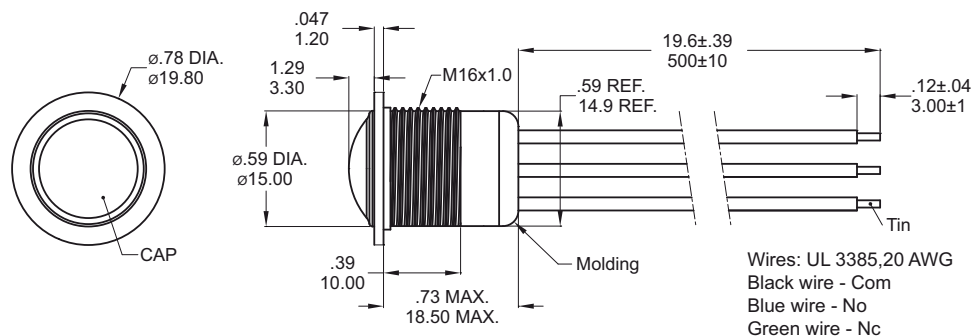


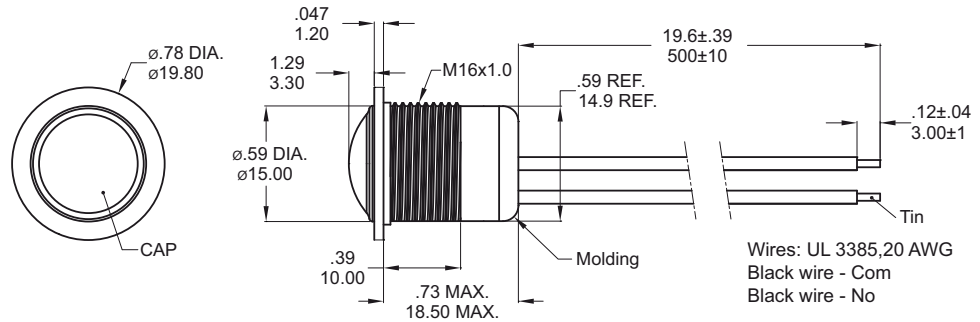
Pushbutton Switches

Low-Profile Sealed Pushbutton Switches

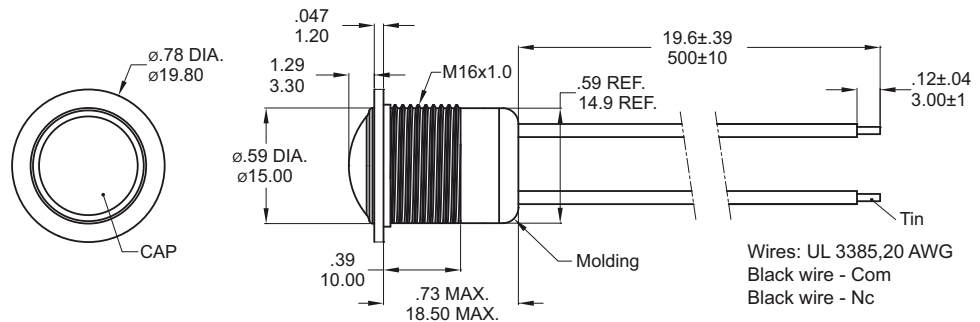
PB26 Series



SPDT



SPST-NC



SPST-NO

NO. POLES	MODEL NO.	SWITCH FUNCTION		CONNECTED TERMINALS / SCHEMATIC					
		POS.1	POS.2	POS.1			POS.2		
				OPEN			COLSE		
SP	PB26	OFF	(ON)						
				Com No Nc	Com No	Com Nc	Com No Nc	Com No	Com Nc

How to order:

PB26

1 CASE&BUSHING:
 A Black Nylon

2 ACTUATOR COLOR:
 A Black E Yellow
 B White F Green
 C Red G Blue

3 CONNECTION:
 Z SPDT
 T SPST-NO
 D SPST-NC

4 TERMINALS:
 W1 Wire Type 1 (See Drawing)

General Specifications:

- MATERIALS**
- > Case & Bushing: Nylon 6/6
 - > Cap: Polyurethane
 - > Button: SUS
 - > Actuator: POM
 - > Nut: SPCC (Nickel Plated)
 - > O-Ring: Silicone (Translucent)
- ELECTRICAL AND MECHANICAL**
- > Rating: 2A 24VDC
 - > Electrical Life: Min. 10,000 cycles
 - > Mechanical Life: 1,000,000 cycles
 - > Insulation Resistanc: 100 Mohm Min. at 500VDC
 - > Dielectric Strength: 500Vrms @ sea level (initial value)
 - > Contact Resistanc: 100 mohm Max. @ 1A/12VDC (initial value, not tested on the wire)
 - > Operation Temperature: -20°C to 65°C
 - > Travel: 1.5±0.3mm
 - > Operation Force: 7N±2N
 - > Protection: IP67 (In house test)
 - > Torque: 0.5 to 1 Nm max.

All specifications are restricted to QA test criteria. DRW: DX CHK: D.F. LEE, APP: H.Z. QIU, DC: 2021-04-23. UPD: 2024-07-11.