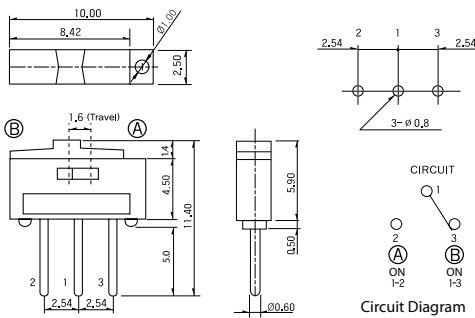


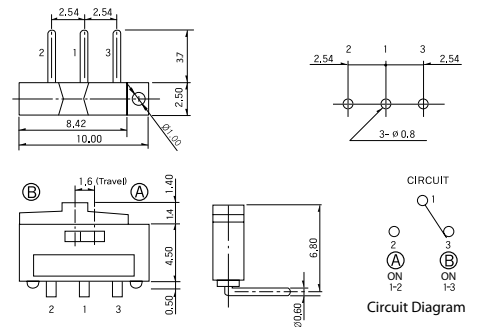
Slide Switches

Mini Slide (Jumper) Switches

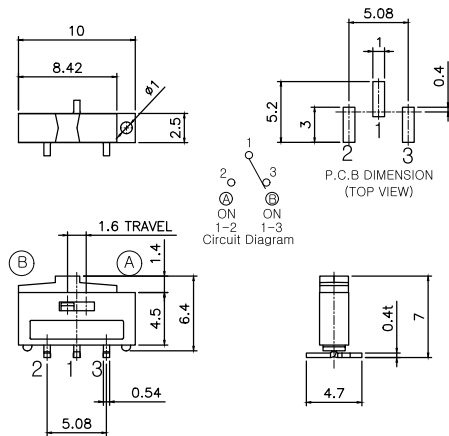
SB8 Series



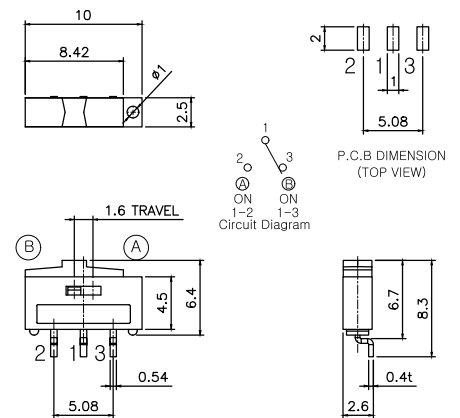
SB8S



SB8RLA



SB8VH

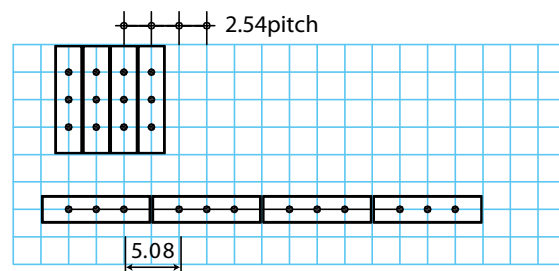


SB8GLA

ACTUATOR OPTION



MODULAR BUILDING BLOCK



How to order:

SB8

- | | |
|-----------------------------|--------------------------|
| 1 TERMINAL TYPE: | 4 BODY COLOR: |
| S Straight THT | blank Black (Std.) |
| R Right Angle THT | D Orange |
| V Straight SMT | 5 ACTUATOR COLOR: |
| G Right Angle SMT | blank Red (Std. for THT) |
| 2 ACTUATOR TYPE: | A Black |
| blank 1.4mm Actuator (Std.) | V Ivory |
| L 2.8mm Actuator | E Yellow |
| 3 FUNCTION: | H Gray (Std. for SMT) |
| blank Change Over (Std.) | |

General Specifications:

- » Rating: 0.5A, DC 12V ~ 0.3A, DC 24V
- » Contact Resistance: 30mΩ max.
- » Insulation Resistance: 10,000MΩ min. at DC 500V
- » Operating Temperature: -40°C to +85°C
- » Operating Force: 250±150gf
- » Life Cycle: 2,000 operations (with load)