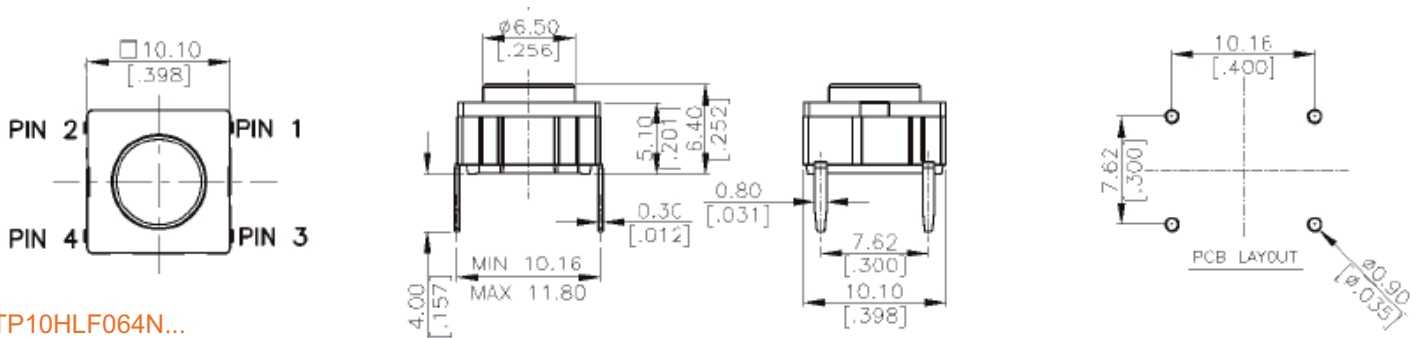


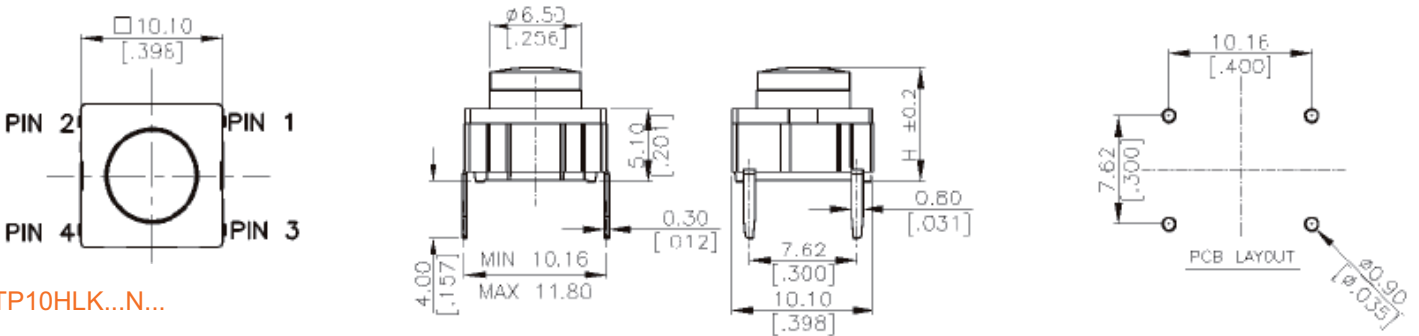
Tactile Switches

10mm Size High Reliability Tactile Switch IP67

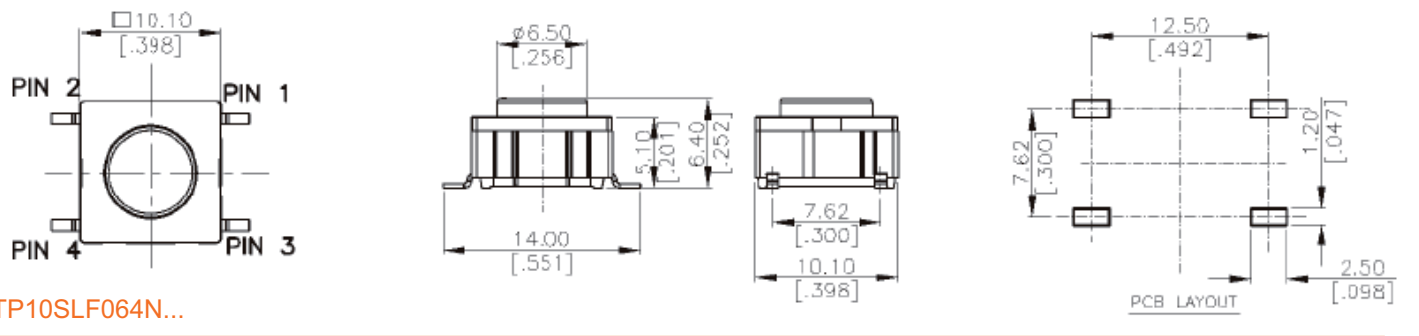
TP10 Series



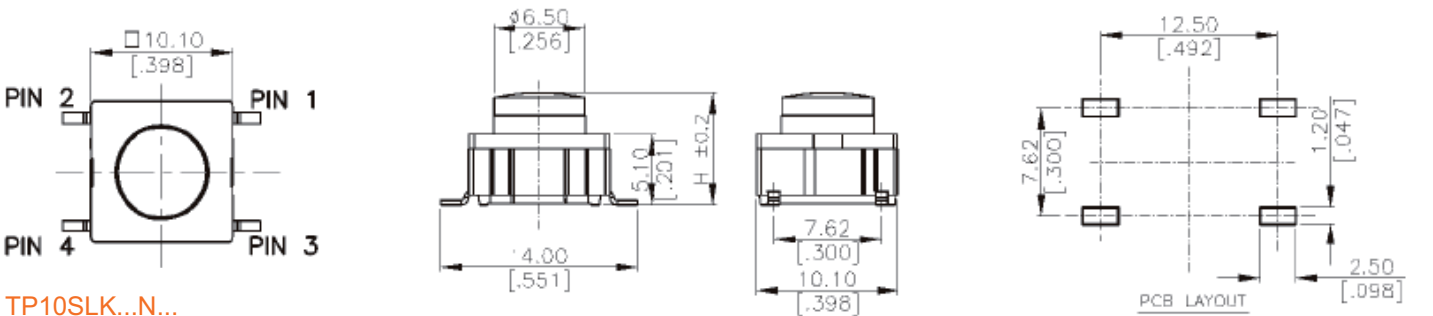
TP10HLF064N...



TP10HLK...N...



TP10SLF064N...



TP10SLK...N...

How to order:

TP10



1 TYPE:

- H PC Terminals Vertical
- S SMT Terminals Vertical
- R PC Terminals Horizontal

2 COVER:

- L Low Cover
- H High Cover (only for vertical type)

3 STEM LAYER:

- F 1 Layer (only for height 6.4mm)
- K 2 Layer (only for low cover)

4 TOTAL HEIGHT "H":

- 064 6.4mm (1 layer)
- 080 8.0mm (2 layer)
- 095 9.5mm (2 layer)
- 104 10.4mm (2 layer)
- 110 11.0mm (2 layer)
- 120 12.0mm (2 layer)
- 150 15.0mm (2 layer)

5 OPERATING FORCE:

- N 300±75gf

6 STEM COLOR:

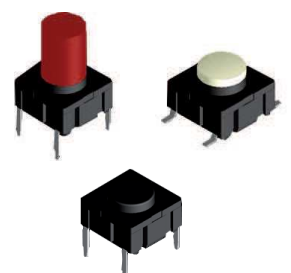
- A Black

7 SPECIAL CODES:

- H Base Material FR52, Halogen-Free
- M Base Material PA10T, Halogen-Free

8 PACKAGING:

- TR Tape & Reel
- TB Tube



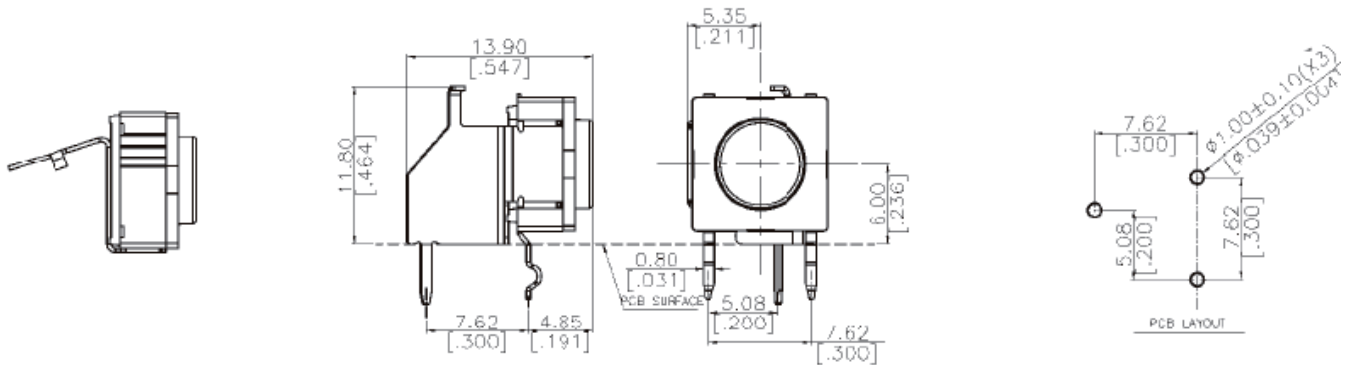
UNIT: mm [inch]
Tolerance unless otherwise stated: ±0.2mm

All specifications are restricted to QA test criteria.
DRW: D. L. JIN, CHK: D. F. LEE, APP: H. Z. QIU, DC: 2012-12-14, UPDATE: 2018-11-19.

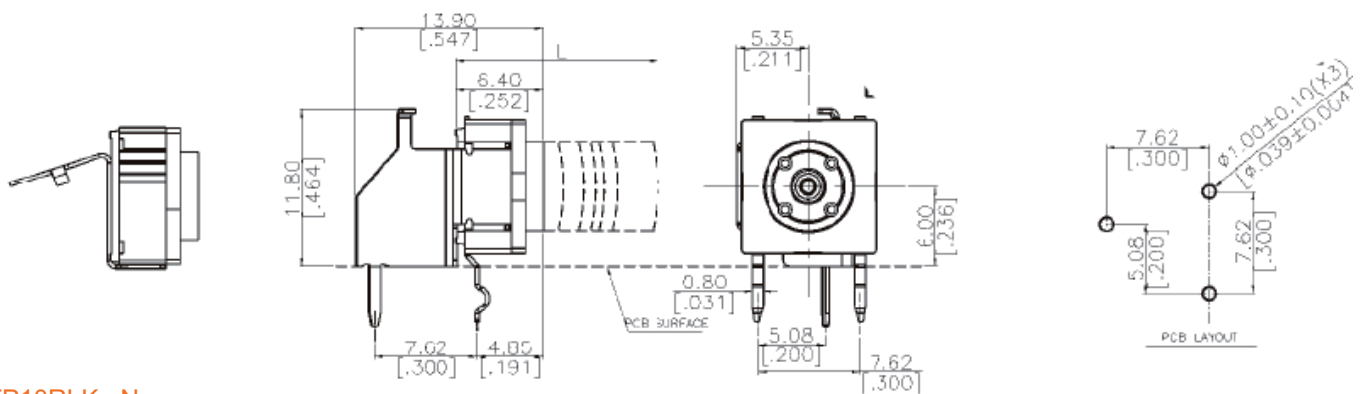
Tactile Switches

10mm Size High Reliability Tactile Switch IP67

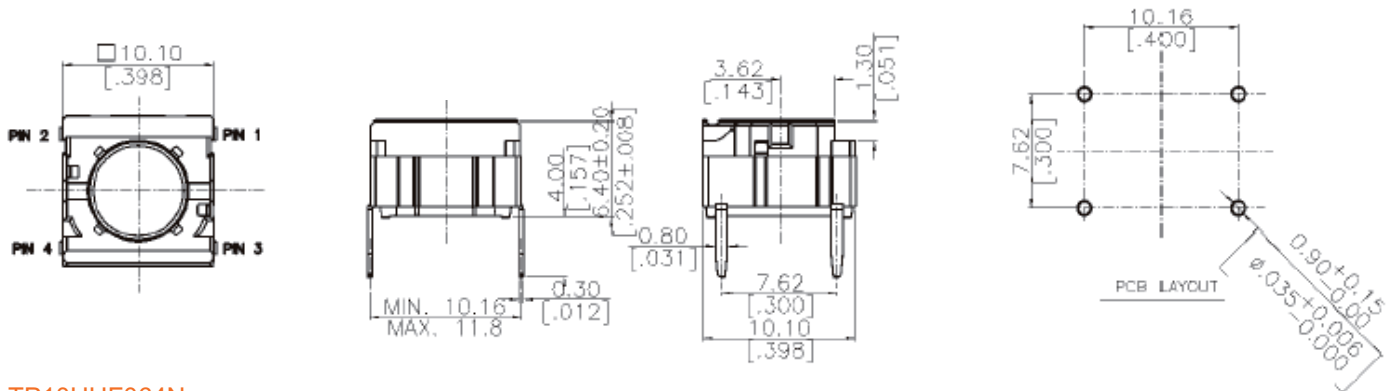
TP10 Series



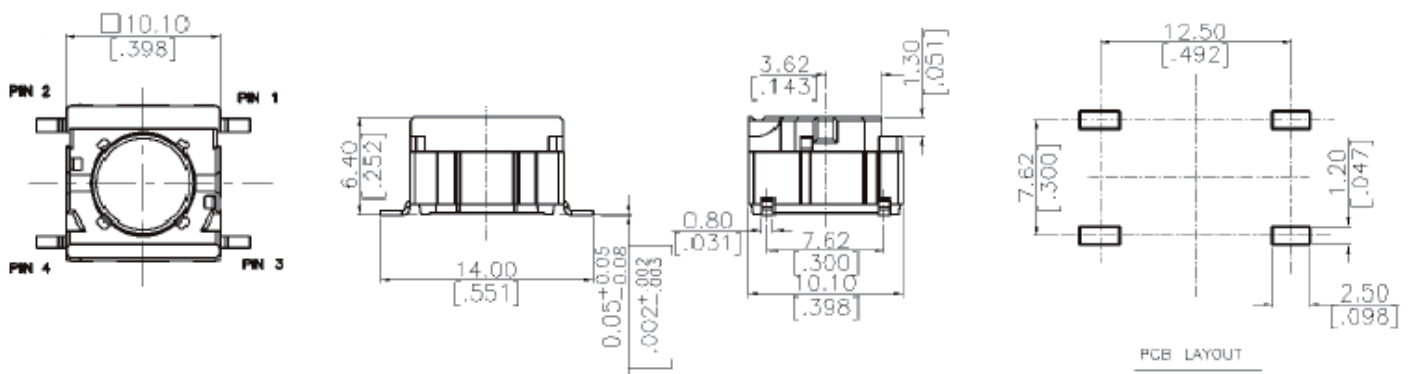
TP10RLF064N...



TP10RLK...N...



TP10HHF064N...



TP10SHF064N...

