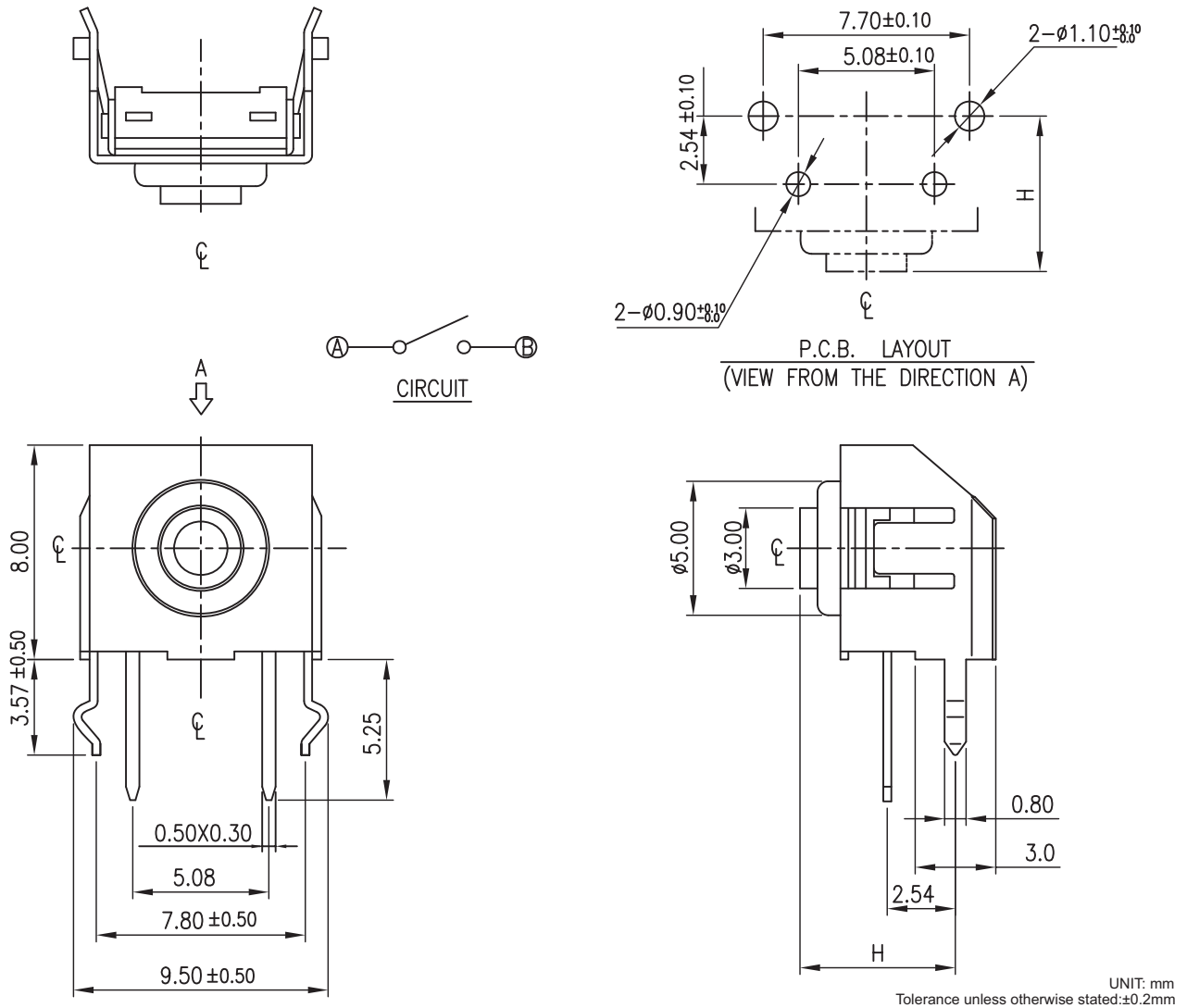


Tactile Switches

8x8mm Right Angle THT Tactile Switch

TP14R Series



SPECIFICATIONS:

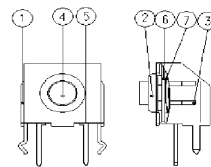
- > Rating: 50mA 12VDC Max.
- > Contact Resistance: 100 mohm Max.
- > Insulation Resistance: 100 Mohm Min. at 500VDC
- > Dielectric Strength: 250VAC 1 Minute
- > Operating Life: 1,000,000 Cycles Min. (for 130/160±50gf)
500,000 Cycles Min. (for 300±50gf)
200,000 Cycles Min. (for 500±100gf)
- > Control Strength: 3kgf Max. vertical static 15 Seconds
- > Stroke: 0.5±0.15 mm
- > Operating Temperature: -40°C ~ +85°C
- > Protection Degree: Washable (a depth of 5 cm in fluorocarbon FC-40 for 1 minute at 50°C/60sec)

SOLDERING CONDITIONS:

- > Manual Soldering

Soldering Temperature(錫鎊溫度)	Max.350°C
Continuous Soldering Time(連續錫鎊時間)	Max. 5 seconds

MATERIALS:



ITEM	DESC	Q'TY	MATERIALS	TREATMENT	REMARK
1	BRACKET	1	PHOSPHOR BRONZE	WITH Sn PLATING	-
2	COVER	1	CARBON STEEL PLATE	WITH Ni PLATING	-
3	BASE	1	HIGH-TEMP THERMOPLASTIC NYLON UL 94V-0	BLACK	-
4	STEM	1	HIGH-TEMP THERMOPLASTIC LCP/NYLON UL 94V-0		-
5	TERMINAL	1	BRASS	S-WITH Ag PLATING A-WITH Au PLATING	-
6	SILICONE RUBBER	1	SILICONE		-
7	DOMES	1	STAINLESS STEEL	S-WITH Ag PLATING A-WITH Au PLATING	-

How to order:

TP14R 1 2 3 4 5

- | | | | |
|---|---|---|---|
| <p>1 TOTAL HEIGHT "H":</p> <p>1 6.04mm
2 6.54mm
3 8.24mm
5 11.34mm</p> | <p>2 OPERATING FORCE:</p> <p>A 130gf
K 160gf
J 300gf
E 500gf</p> | <p>3 CONTACT PLATING:</p> <p>AG Silver Plating
AU Gold Plating</p> | <p>4 PACKAGING:</p> <p>TB Tube (52/tube)</p> |
|---|---|---|---|

