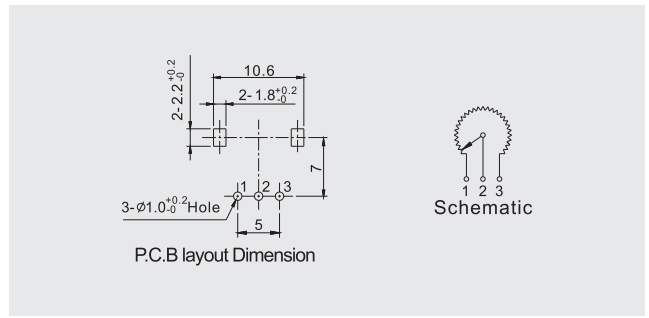
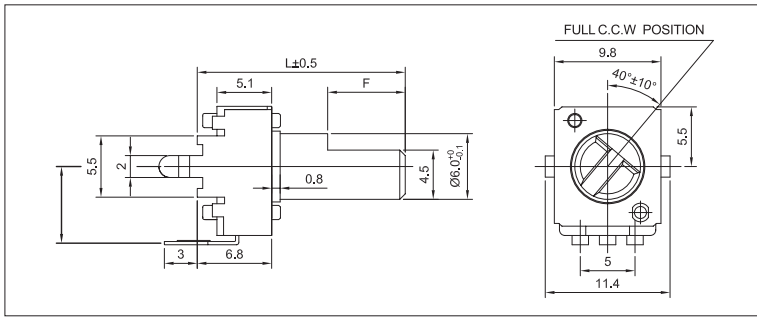


# Potentiometers

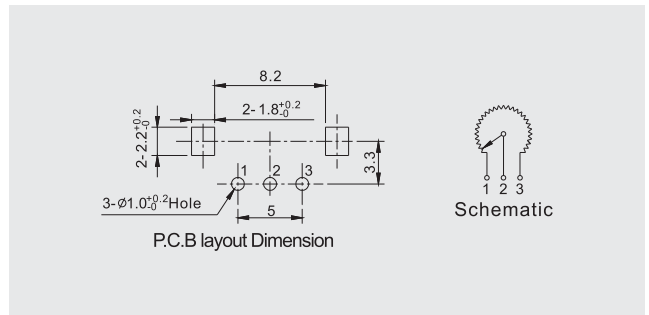
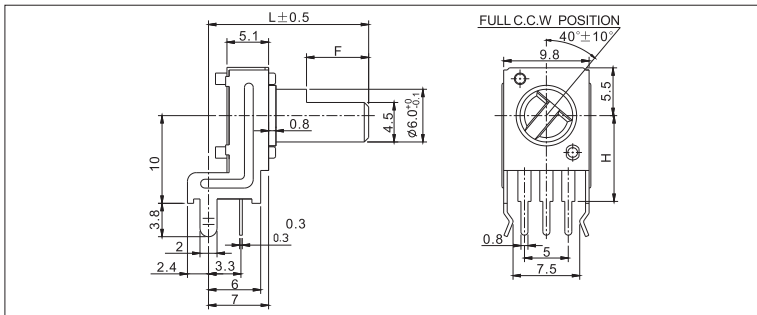
## Rotary Potentiometer with Insulated Shaft

GP8K Series

### 1 Gang, Top Adjust



### 1 Gang, Side Adjust



### ELECTRICAL SPECIFICATIONS:

- > TOTAL RESISTANCE: 1KOhm to 500KOhm +/-20%
- > MAX. OPERATING VOLTAGE: 50VAC, 20VDC
- > RATED POWER: 0.05W
- > SLIDING NOISE: 100mv Max.
- > INSULATION RESISTANCE: 100MOhm at 250VDC
- > WITHSTAND VOLTAGE: 250VAC 1 Minute
- > RESIDUAL RESISTANCE: 20 Ohm max. (Terminal 1-2, 2-3)

### MECHANICAL SPECIFICATIONS:

- > TOTAL ROTATIONAL ANGLE: 280° +/- 10°
- > ROTATIONAL TORQUE: 10gf.cm to 90gf.cm
- > CLICK TORQUE: 30gf.cm to 120gf.cm
- > ROTATIONAL STOPPER STRENGTH: 3.0Kgf.cm Min.
- > PUSH-PULL STRENGTH: 5.0Kgf.cm Min.
- > OPERATING TEMPERATURE RANGE: -10°C to +70°C
- > ROTATIONAL LIFE: 15,000 Cycles (standard); 100,000 Cycles (long life)

### How to order:



#### 1 NUMBER OF UNIT:

- S Single Gang
- D Dual Gang

#### 2 TERMINAL CONFIGURATION:

- H Top Adjust, PC Pins
- V Side Adjust, PC Pins

#### 3 HEIGHT (note 1):

- 0 Not Available (for H-type only)
- 1 6.5mm (for V-type only)
- 2 10mm (for V-type only)
- 3 12.5mm (for V-type only)

#### 4 5 SHAFT TYPE AND LENGTH (note 2):

e.g.:F2 for F-type 18mm

#### 6 FULL CCW POSITION (note 3):

different for different shaft Type

#### 7 DETENTS:

- 0 No Detent
- 1 Center Detents (for Single Gang only)
- 2 21 Detents (for Single Gang only)

#### 8 RESISTANCE TAPER:

- A Audio (15A)
- B Linear (1 Gang: 1B; 2 Gangs: 3B)
- C Reverse Audio (15C)
- D Audio (10A)

#### 9 TOTAL RESISTANCE:

free text 500 Ω to 1M Ω  
e.g.: 220K for 220.000 Ω

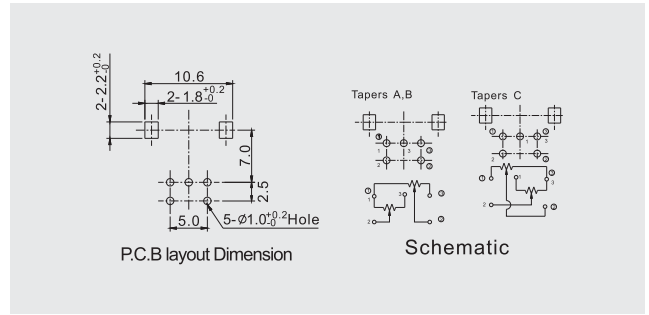
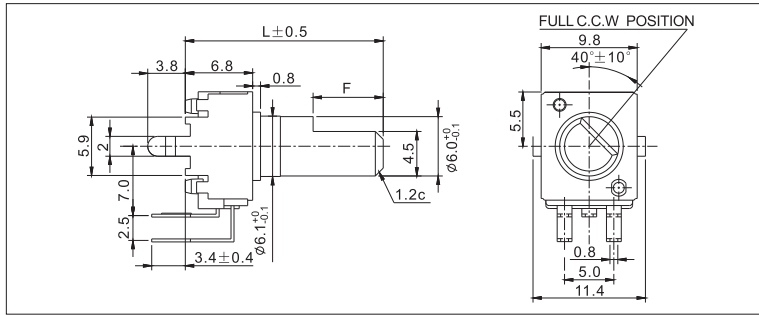
All specifications are restricted to QA test criteria.  
DC: 2012-09-17 UPD: 2025-05-08.  
DRW: J.Y. GONG CHK: Y.F. YAN APP: Z.W. LI

# Potentiometers

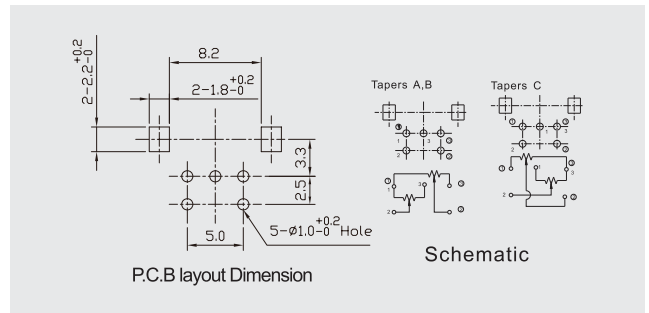
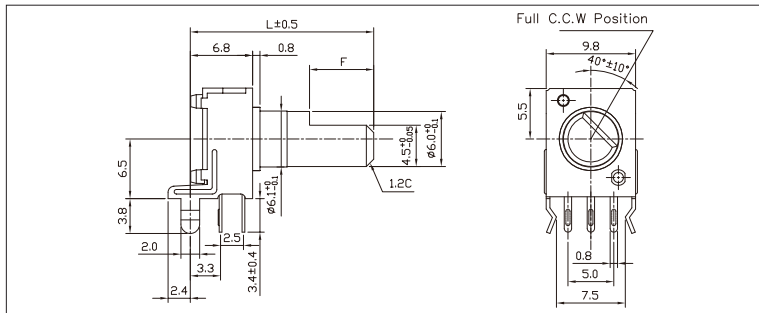
## Rotary Potentiometer with Insulated Shaft

GP8K Series

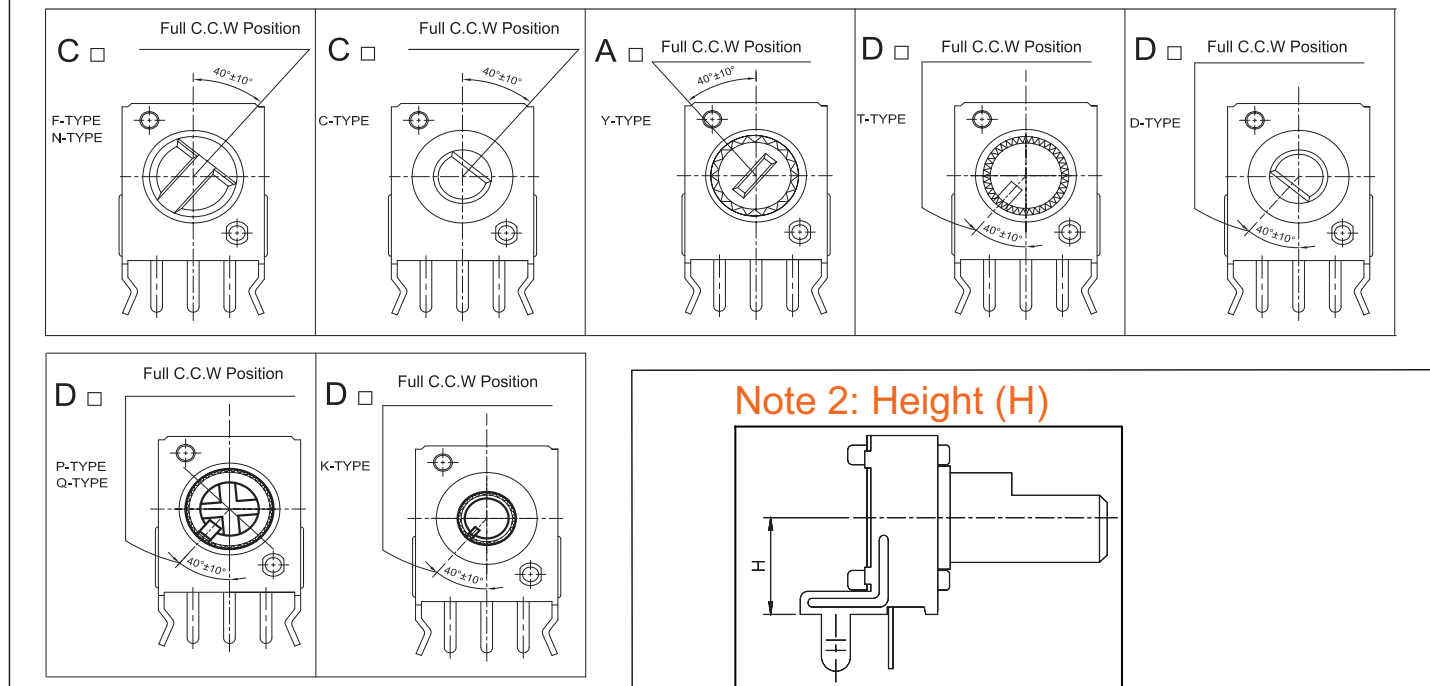
### 2 Gangs, Top Adjust



### 2 Gangs, Side Adjust



### Note 1: Full C.C.W Position

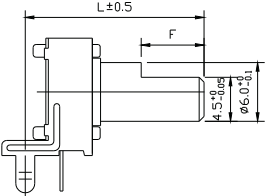
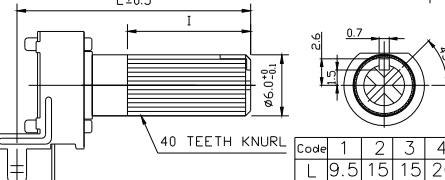
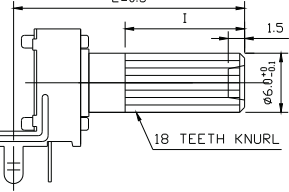
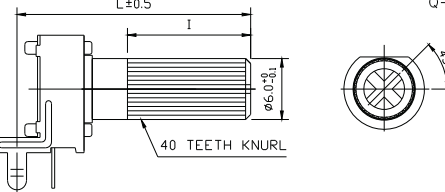
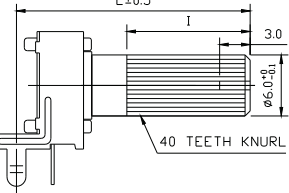
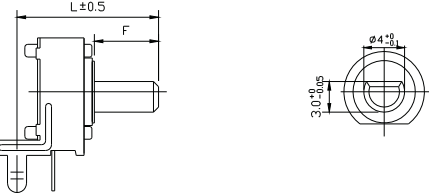
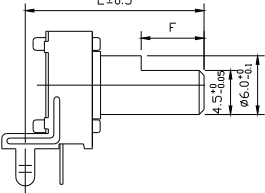
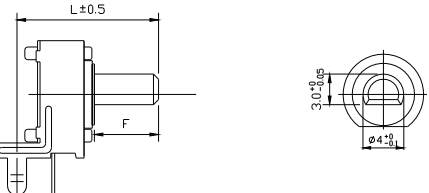
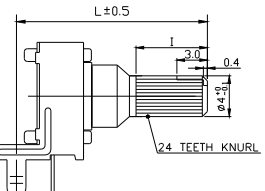


# Potentiometers

## Rotary Potentiometer with Insulated Shaft

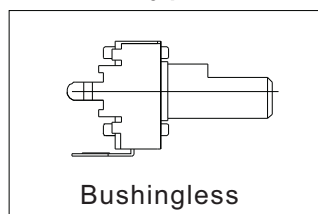
GP8K Series

### Note 3: Shaft Type & Length

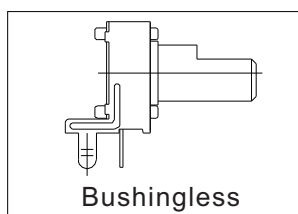
 <p><b>F-TYPE</b></p> <table border="1" data-bbox="466 481 769 548"> <tr><td>Code</td><td>1</td><td>2</td><td>3</td><td>4</td><td>5</td><td>6</td><td>7</td><td>8</td></tr> <tr><td>L</td><td>15</td><td>18</td><td>20</td><td>25</td><td>25</td><td>30</td><td>34</td><td>35</td></tr> <tr><td>F</td><td>6</td><td>9</td><td>7</td><td>7</td><td>12</td><td>12</td><td>11</td><td>12</td></tr> </table>	Code	1	2	3	4	5	6	7	8	L	15	18	20	25	25	30	34	35	F	6	9	7	7	12	12	11	12	 <p><b>P-TYPE</b></p> <table border="1" data-bbox="1152 481 1412 548"> <tr><td>Code</td><td>1</td><td>2</td><td>3</td><td>4</td><td>5</td><td>6</td><td>7</td></tr> <tr><td>L</td><td>9.5</td><td>15</td><td>15</td><td>20</td><td>25</td><td>30</td><td>35</td></tr> <tr><td>I</td><td>0</td><td>6</td><td>7</td><td>7</td><td>7</td><td>7</td><td>7</td></tr> </table>	Code	1	2	3	4	5	6	7	L	9.5	15	15	20	25	30	35	I	0	6	7	7	7	7	7
Code	1	2	3	4	5	6	7	8																																												
L	15	18	20	25	25	30	34	35																																												
F	6	9	7	7	12	12	11	12																																												
Code	1	2	3	4	5	6	7																																													
L	9.5	15	15	20	25	30	35																																													
I	0	6	7	7	7	7	7																																													
 <p><b>Y-TYPE</b></p> <table border="1" data-bbox="529 716 794 784"> <tr><td>Code</td><td>1</td><td>2</td><td>3</td><td>4</td><td>5</td><td>6</td><td>7</td></tr> <tr><td>L</td><td>15</td><td>16</td><td>20</td><td>25</td><td>30</td><td>35</td><td>15</td></tr> <tr><td>I</td><td>7</td><td>7</td><td>7</td><td>7</td><td>7</td><td>7</td><td>6</td></tr> </table>	Code	1	2	3	4	5	6	7	L	15	16	20	25	30	35	15	I	7	7	7	7	7	7	6	 <p><b>Q-TYPE</b></p> <table border="1" data-bbox="1311 716 1412 784"> <tr><td>Code</td><td>1</td><td>2</td></tr> <tr><td>L</td><td>15</td><td>20</td></tr> <tr><td>I</td><td>7</td><td>7</td></tr> </table>	Code	1	2	L	15	20	I	7	7																		
Code	1	2	3	4	5	6	7																																													
L	15	16	20	25	30	35	15																																													
I	7	7	7	7	7	7	6																																													
Code	1	2																																																		
L	15	20																																																		
I	7	7																																																		
 <p><b>T-TYPE</b></p> <table border="1" data-bbox="529 952 730 1019"> <tr><td>Code</td><td>1</td><td>2</td><td>3</td><td>4</td><td>5</td></tr> <tr><td>L</td><td>15</td><td>20</td><td>25</td><td>30</td><td>35</td></tr> <tr><td>I</td><td>6</td><td>7</td><td>7</td><td>7</td><td>7</td></tr> </table>	Code	1	2	3	4	5	L	15	20	25	30	35	I	6	7	7	7	7	 <p><b>C-TYPE</b></p> <table border="1" data-bbox="1311 952 1380 1019"> <tr><td>Code</td><td>1</td></tr> <tr><td>L</td><td>12.5</td></tr> <tr><td>F</td><td>4.5</td></tr> </table>	Code	1	L	12.5	F	4.5																											
Code	1	2	3	4	5																																															
L	15	20	25	30	35																																															
I	6	7	7	7	7																																															
Code	1																																																			
L	12.5																																																			
F	4.5																																																			
 <p><b>N-TYPE</b></p> <table border="1" data-bbox="529 1187 769 1254"> <tr><td>Code</td><td>1</td><td>2</td><td>3</td><td>4</td><td>5</td><td>6</td></tr> <tr><td>L</td><td>15</td><td>20</td><td>25</td><td>30</td><td>34</td><td>35</td></tr> <tr><td>F</td><td>6</td><td>7</td><td>12</td><td>12</td><td>12</td><td>12</td></tr> </table>	Code	1	2	3	4	5	6	L	15	20	25	30	34	35	F	6	7	12	12	12	12	 <p><b>D-TYPE</b></p> <table border="1" data-bbox="1311 1187 1380 1254"> <tr><td>Code</td><td>1</td></tr> <tr><td>L</td><td>12.5</td></tr> <tr><td>F</td><td>4.5</td></tr> </table>	Code	1	L	12.5	F	4.5																								
Code	1	2	3	4	5	6																																														
L	15	20	25	30	34	35																																														
F	6	7	12	12	12	12																																														
Code	1																																																			
L	12.5																																																			
F	4.5																																																			
 <p><b>K-TYPE</b></p> <table border="1" data-bbox="529 1429 699 1496"> <tr><td>Code</td><td>1</td><td>2</td><td>3</td><td>4</td></tr> <tr><td>L</td><td>20</td><td>25</td><td>30</td><td>35</td></tr> <tr><td>I</td><td>7</td><td>7</td><td>7</td><td>7</td></tr> </table>	Code	1	2	3	4	L	20	25	30	35	I	7	7	7	7																																					
Code	1	2	3	4																																																
L	20	25	30	35																																																
I	7	7	7	7																																																

### Note 4: Terminal & Bushing

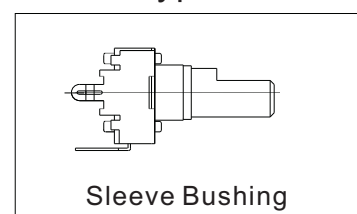
#### H-Type



#### V-Type



#### A-Type



#### B-Type

