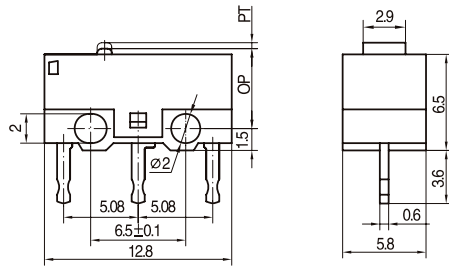


# Micro Switches

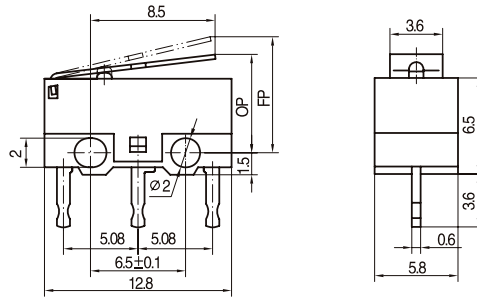
## Micro Switches

## MP71 Series



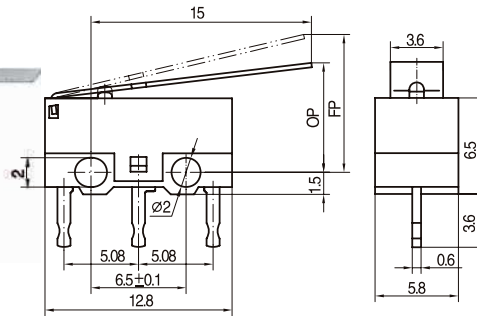
MP71\_\_00

型號 Model	MP71_Z00P75	MP71_Z00P15	MP71_Z00P25
OF Max(N)	0.75	1.50	2.50
RF Min(N)	0.05	0.08	0.40
PT Max(mm)	0.5		
OT Min(mm)	0.2		
MD Max(mm)	0.2		
OP(mm)	5.5 ± 0.3		



MP71\_\_01

型號 Model	MP71_Z01P75	MP71_Z01P15	MP71_Z01P25
OF Max(N)	0.26	0.53	0.90
RF Min(N)	0.04	0.08	0.15
OT Min(mm)	0.6		
MD Max(mm)	0.6		
FP Max(mm)	9.0		
OP(mm)	6.7 ± 1		



MP71\_\_02

型號 Model	MP71_Z02P75	MP71_Z02P15	MP71_Z02P25
OF Max(N)	0.17	0.33	0.55
RF Min(N)	0.02	0.04	0.08
OT Min(mm)	1.0		
MD Max(mm)	1.0		
FP Max(mm)	10.0		
OP(mm)	7.6 ± 1.5		

### How to order:



#### 1 RATING CURRENT:

- K 3(0.5)A250V/3A125VAC
- W 1(0.5)A250VAC/1A125VAC
- D 0.5(0.2)A250VAC/0.5A125VAC
- E 0.3(0.1)A250VAC/0.3A125VAC
- F 0.1(0.05)A250VAC/0.1A125VAC

#### 2 CONTACT:

- Z SPDT
- T SPST-NO
- D SPST-NC

#### 3 ACTUATOR TYPE:

- 00 No lever
  - 01 Short lever
  - 02 Long lever
  - 03 Middle lever
  - 05 Roller
  - 06 Long arclever
  - 08 Short arclever
  - 09 No standard lever 1 (please see next page)
  - 10 No standard lever 2 (please see next page)
- customerized available

#### 4 TERMINAL TYPE:

- F Solder Terminal
- G Long Solder Terminal
- P PCB terminal
- L Left side PCB terminal
- R Right side PCB terminal
- S Self-clingching PCB terminal

#### 5 OPERATING FORCE:

- 45 0.45N
- 75 0.75N
- 15 1.5N
- 25 2.5N

### General Specifications:

Operating speed: 1mm~500mm/s (Related with actuator forms)

Operating frequency: Mechanical 60 cycles/min

Electrical 25 cycles/min

Insulation resistance:  $\geq 100M\Omega$  (500VDC)

Contact resistance: OF > 0.75N:  $\leq 30m\Omega$  (see note)

OF  $\leq 0.75N$ :  $\leq 50m\Omega$  (see note)

Test voltage:

Between terminals of the same polarity: AC600V, 50/60Hz, 1min

Between current-carrying metal parts and ground(case), and between each terminal and non-current-carrying metal parts: AC1000V, 50/60Hz, 1min

Vibration resistance: 10~55Hz, 1.5mm Double amplitude

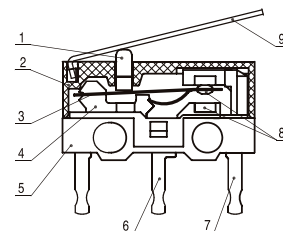
Shock resistance: Malfunction: 300/m<sup>2</sup> (approx. 30G) max

Life expectancy: Mechanical  $\geq 1,000,000$  cycles

Electrical  $\geq 10,000$  cycles

Weight: Approx. 0.6g (no lever)

Safety approvals: UL, CUL, TÜV, CE, EK, CQC



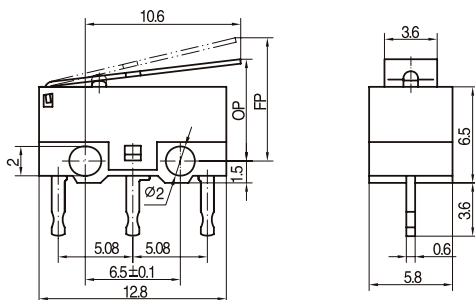
- 1: Plunger
- 2: Cover
- 3: Moving piece
- 4: Support
- 5: Case
- 6: NO terminal
- 7: NC terminal
- 8: Contact
- 9: Moving arm



# Micro Switches

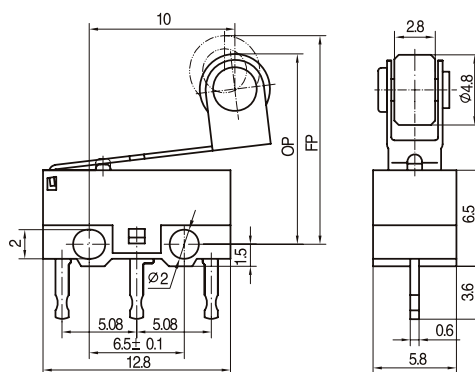
## Micro Switches

## MP71 Series



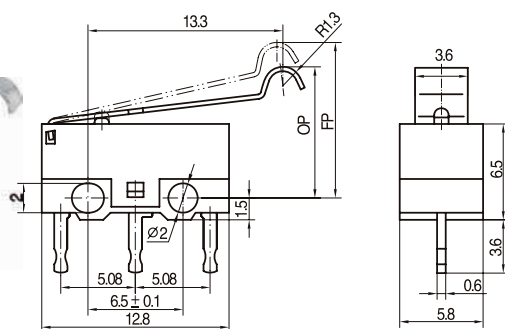
型號 Model	MP71_Z03P75	MP71_Z03P15	MP71_Z03P25
OF Max(N)	0.23	0.45	0.75
RF Min(N)	0.03	0.06	0.12
OT Min(mm)	0.7		
MD Max(mm)	0.7		
FP Max(mm)	9.5		
OP(mm)	7 ± 1.2		

MP71\_03



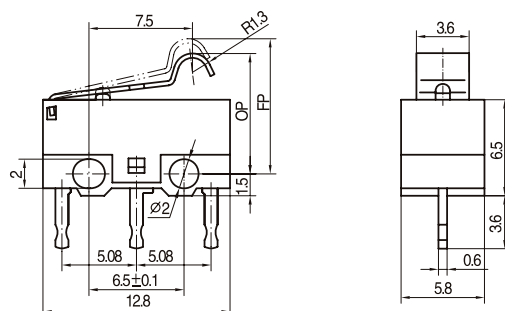
型號 Model	MP71_Z05P75	MP71_Z05P15	MP71_Z05P25
OF Max(N)	0.23	0.46	0.77
RF Min(N)	0.02	0.05	0.10
OT Min(mm)	0.7		
MD Max(mm)	0.7		
FP Max(mm)	16.5		
OP(mm)	13 ± 1.5		

MP71\_05



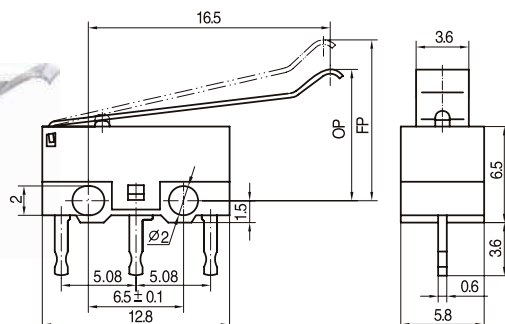
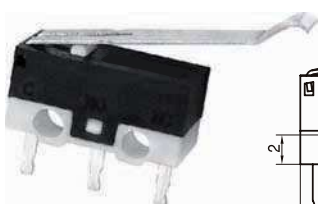
型號 Model	MP71_Z06P75	MP71_Z06P15	MP71_Z06P25
OF Max(N)	0.18	0.36	0.60
RF Min(N)	0.02	0.05	0.10
OT Min(mm)	0.9		
MD Max(mm)	0.9		
FP Max(mm)	11.5		
OP(mm)	8.6 ± 1		

MP71\_06



型號 Model	MP71_Z08P75	MP71_Z08P15	MP71_Z08P25
OF Max(N)	0.30	0.60	1.00
RF Min(N)	0.03	0.06	0.12
OT Min(mm)	0.6		
MD Max(mm)	0.6		
FP Max(mm)	10.5		
OP(mm)	8.6 ± 1		

MP71\_08



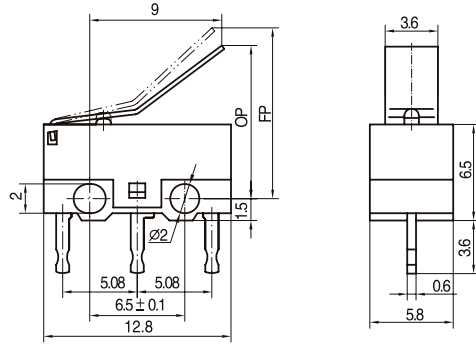
型號 Model	MP71_Z09P75	MP71_Z09P15	MP71_Z09P25
OF Max(N)	0.15	0.30	0.50
RF Min(N)	0.02	0.05	0.10
OT Min(mm)	1.1		
MD Max(mm)	1.0		
FP Max(mm)	11.5		
OP(mm)	8.5 ± 1.5		

MP71\_09

# Micro Switches

Micro Switches

MP71 Series



型號 Model	MP71_Z10P75	MP71_Z10P15	MP71_Z10P25
OF Max(N)	0.25	0.50	0.80
RF Min(N)	0.02	0.05	0.10
OT Min(mm)	0.6		
MD Max(mm)	0.6		
FP Max(mm)	12.5		
OP(mm)	10.5 ± 1.5		

MP71\_10

## TERMINAL DIMENSIONS

PCB端子 PCB terminal	長焊接端子 Long solder terminal	自固定PCB端子 Self-clinching PCB terminal	
<p><b>P</b></p>	<p><b>G</b></p>	<p><b>S</b></p>	
左側面PCB端子 Left side PCB terminal	右側面PCB端子 Right side PCB terminal	焊接端子 Solder terminal	焊接小型端子 Minitype solder terminal
<p><b>L</b></p>	<p><b>R</b></p>	<p><b>F</b></p>	<p><b>H</b></p>

## MOUNTING HOLE DIMENSIONS

	PCB端子 PCB terminal	左側面PCB端子 Left side PCB terminal	右側面PCB端子 Right side PCB terminal
	<p>按鈕位置 Plunger position</p>		

## CIRCUIT ILLUSTRATION

Z 轉換式 SPDT	T 常開式 SPST-NO	D 常閉式 SPST-NC