

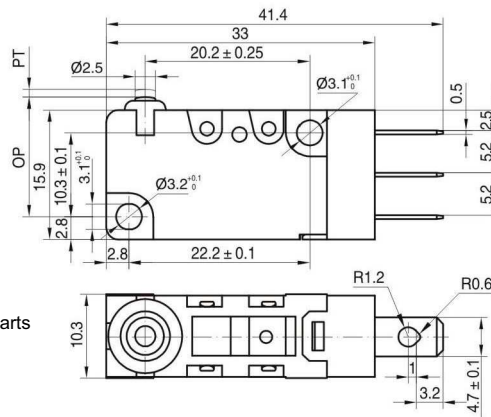
Micro Switches

Waterproof Micro Switches IP67

MP89 Series

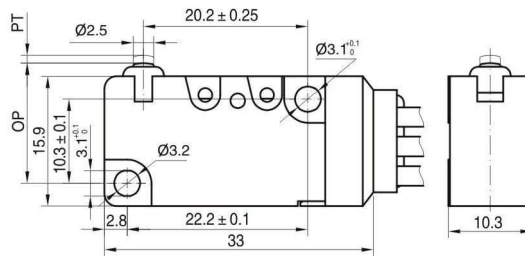


Note: Solder Terminals Parts don't meet IP67.



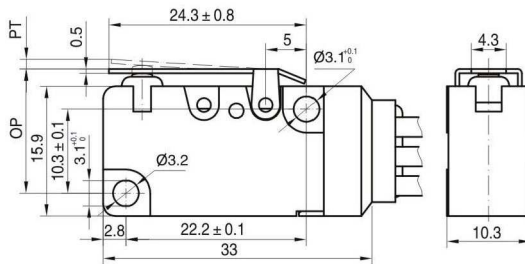
OF Max(N)	2.00
RF Min(N)	0.30
PT Max(mm)	1.2
OT Min(mm)	1.0
MD Max(mm)	0.4
OP(mm)	14.7 ± 0.4

MP89...Z0F200...



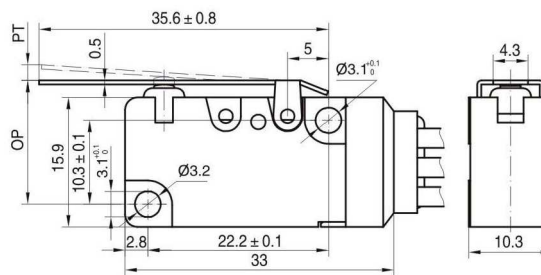
OF Max(N)	2.00
RF Min(N)	0.30
PT Max(mm)	1.2
OT Min(mm)	1.0
MD Max(mm)	0.4
OP(mm)	14.7 ± 0.4

MP89...Z0W200...



OF Max(N)	2.00
RF Min(N)	0.20
PT Max(mm)	1.6
OT Min(mm)	0.8
MD Max(mm)	0.5
OP(mm)	15.2 ± 0.5

MP89...Z1W200...



OF Max(N)	1.20
RF Min(N)	0.15
PT Max(mm)	4.0
OT Min(mm)	1.6
MD Max(mm)	0.8
OP(mm)	15.2 ± 1.2

MP89...Z3W200...

How to order:

MP89



1 TEMPERATURE DEGREE:

No Code T85
T T125

2 RATING:

10 10(3)A250VAC/10.1A125VAC
05 5(2)A250VAC/5A125VAC/5A30VDC
01 0.1A250VAC/0.1A125VAC/0.1A30VDC

3 CIRCUIT:

Z SPDT
O SPST-NO
C SPST-NC

4 ACTUATOR FORM:

0 No Lever
1 Short Lever
2 Long Lever
3 Middle Lever
4 Short Roller
5 Long Roller
6 Arc Lever

Standard Lever is far from the plunger. If you need the lever near the plunger, please add code A, such as 1A, 2A...

5 TERMINATION:

F Solder Terminals (not IP67)
W Wire

6 OPERATING FORCE:

050 0.5N Type
100 1N Type
150 1.5N Type
200 2N Type (Standard)
300 3N Type

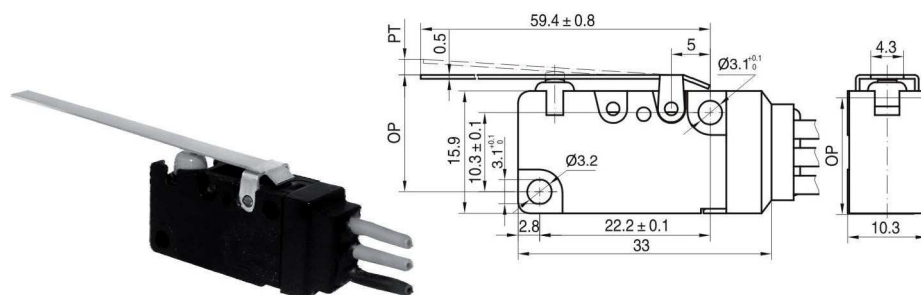
7 WIRE LENGTH (in mm):

free text Such as 50 for 50mm

Micro Switches

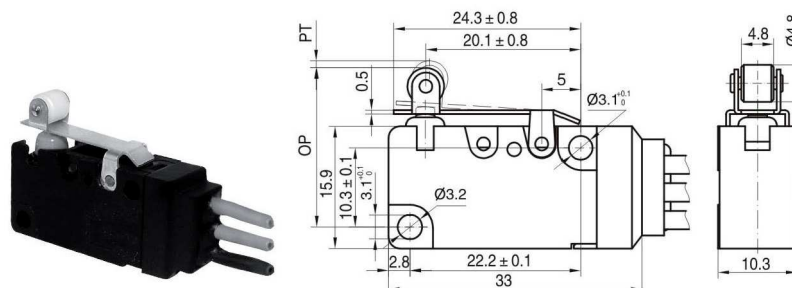
Waterproof Micro Switches IP67

MP89 Series



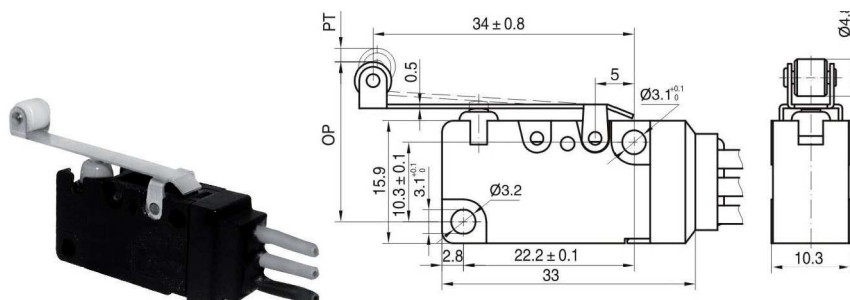
OF Max(N)	0.60
RF Min(N)	0.05
PT Max(mm)	9.0
OT Min(mm)	3.2
MD Max(mm)	2.0
OP(mm)	15.2 ± 2.6

MP89...Z2W200...



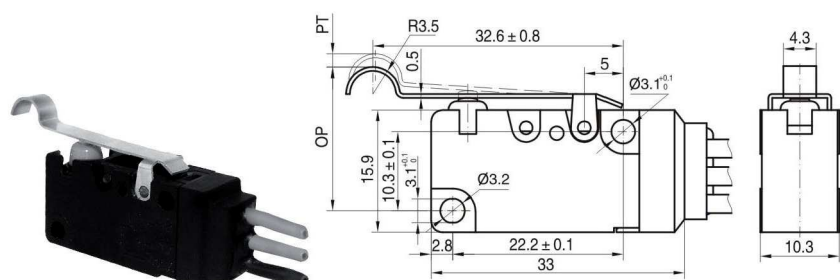
OF Max(N)	2.25
RF Min(N)	0.20
PT Max(mm)	1.6
OT Min(mm)	0.8
MD Max(mm)	0.5
OP(mm)	20.7 ± 0.6

MP89...Z4W200...



OF Max(N)	1.20
RF Min(N)	0.15
PT Max(mm)	4.0
OT Min(mm)	1.6
MD Max(mm)	0.8
OP(mm)	20.7 ± 1.2

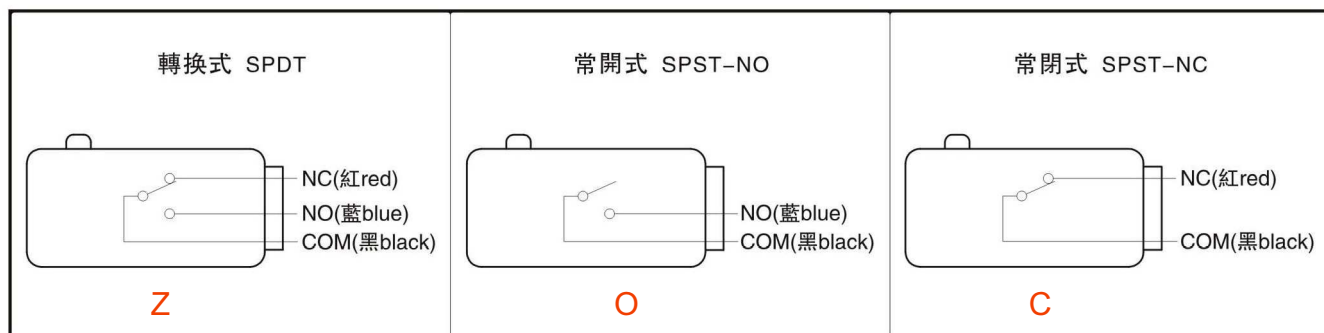
MP89...Z5W200...



OF Max(N)	1.20
RF Min(N)	0.15
PT Max(mm)	4.0
OT Min(mm)	1.6
MD Max(mm)	0.8
OP(mm)	18.7 ± 1.2

MP89...Z6W200...

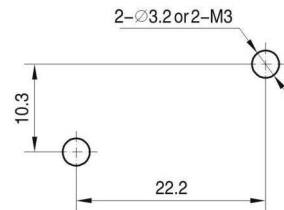
CIRCUIT



SPECIFICATIONS:

- > Operating Speed: 0.1mm~1m/s (Without Lever)
- > Operating Frequency: 60 Cycles per Minute (Mechanical);
25 Cycles per Minute (Electrical);
- > Contact Resistance: 30 mohm Max. (initial)
- > Insulation Resistance: 100 Mohm Min. at 500VDC
- > Dielectric Strength: 1,000VAC, 50/60Hz, 1 Minute (between not-connected Terminals of the same Polarity);
1,500VAC, 50/60Hz, 1 Minute (between current-carrying metal parts and ground/case, and between each terminal and no-current-carrying metal parts)
- > Vibration Resistance: 10~55 Hz, 1.5mm double Amplitude
- > Electric Shock proof: I Class
- > Protection Degree: IP67 (except the part of Solder Terminals)
- > Operating Life: 1,000,000 Cycles (mechanical);
10,000 Cycles (electrical)

MOUNTING HOLES:



PART LIST:

- 1: Lever
- 2: Moving piece
- 3: Spring sheet
- 4: Support
- 5: Contact
- 6: Contact
- 7: Contact
- 8: Case
- 9: Terminal
- 10: Fixed piece
- 11: Terminal
- 12: Wire
- 13: Soldering tin
- 14: Epoxy resin
- 15: Cover
- 16: Annulus
- 17: Plunger
- 18: Hermetic loop
- 19: Moving arm

