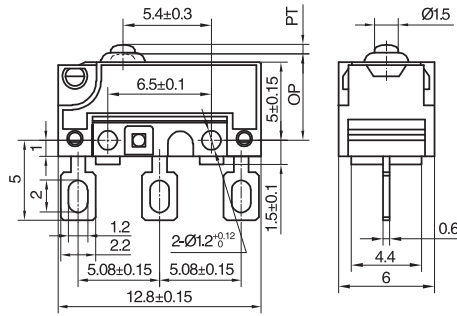


Micro Switches

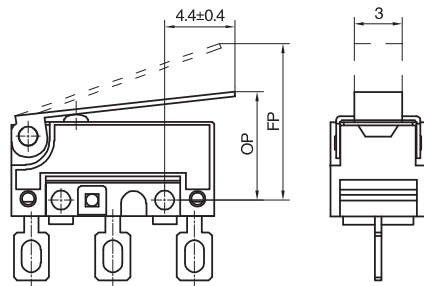
Subminiature Micro Switches Waterproof

MP5 Series



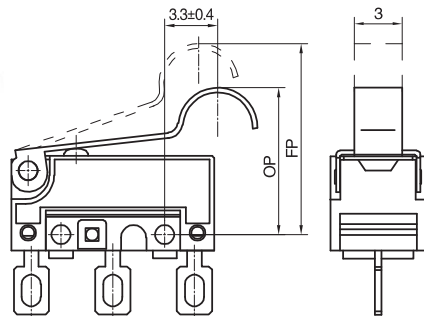
型號 Model	MP5Z0F150A	MP5Z0F200A	MP5Z0F250A
OF Max(N)	1.50	2.00	2.50
RF Min(N)	0.10	0.20	0.30
PT Max(mm)	0.6		
OT Min(mm)	0.2		
MD Max(mm)	0.2		
OP(mm)	5.5 ± 0.3		

MP5Z0F_A



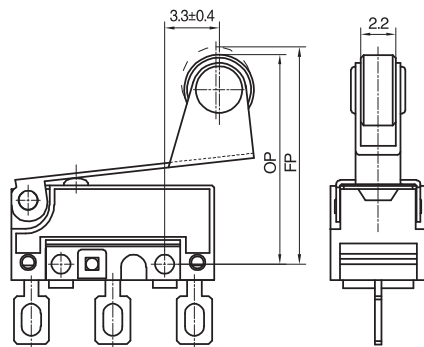
型號 Model	MP5Z3F150A	MP5Z3F200A	MP5Z3F250A
OF Max(N)	0.50	0.80	1.00
RF Min(N)	0.05	0.10	0.15
OT Min(mm)	0.5		
MD Max(mm)	0.6		
FP Max(mm)	11.0		
OP(mm)	6.8 ± 1.2		

MP5Z3F_A



型號 Model	MP5Z6F150A	MP5Z6F200A	MP5Z6F250A
OF Max(N)	0.50	0.80	1.00
RF Min(N)	0.05	0.10	0.15
OT Min(mm)	0.5		
MD Max(mm)	0.6		
FP Max(mm)	14.0		
OP(mm)	9.8 ± 1.2		

MP5Z6F_A



型號 Model	MP5Z5F150A	MP5Z5F200A	MP5Z5F250A
OF Max(N)	0.50	0.80	1.00
RF Min(N)	0.05	0.10	0.15
OT Min(mm)	0.5		
MD Max(mm)	0.6		
FP Max(mm)	17.0		
OP(mm)	13.1 ± 1.2		

MP5Z5F_A

How to order:

MP5

1 DEGREE OF TEMPERATURE

blank 40T85

2 CURRENT RATINGS

blank 2GPA 125V/250VAC
2RA 125/250VAC
3A 30VDC
F 0.1GPA 125V/250VAC
0.1RA 125/250VAC
5mA 30VDC

3 CONTACT:

Z SPDT
T SPST-NO
D SPST-NC

4 LEVER TYPE:

0 No lever
3 Straight Lever
5 Roller
6 Arc Lever
8 Leaf Lever

5 TERMINAL TYPES

F Solder Terminal
P PCB Terminal
B Bottom Wire Leads
L Left Side Wire Leads
R Right Side Wire Leads

6 OPERATING FORCE:

150 1.5N
200 2.0N
250 2.5N

7 MOUNTING HOLE:

A 1.2mm
B 2.3mm
C 3mm
L Left Side Fixed Pin
R Right Side Fixed Pin
D Both Sides Fixed Pin

8 WIRE LENGTH:

free ...mm
text

9 PROTECTION DEGREE:

blank IP50 (Terminal Type)
IP67 (Wire Type)



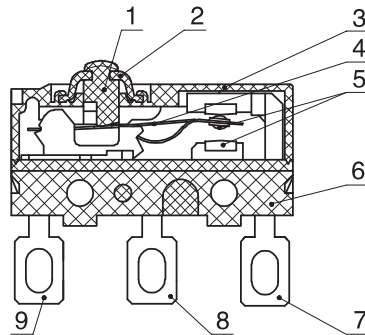
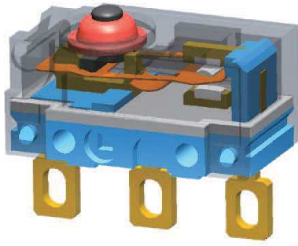
All specifications are restricted to QA test criteria.
DRW: D. L. JIN, CHK: D.F. LEE, APP: H.Z. QIU, DC: 2018-12-14, UPD: 2025-04-14.

Micro Switches

Subminiature Micro Switches Waterproof

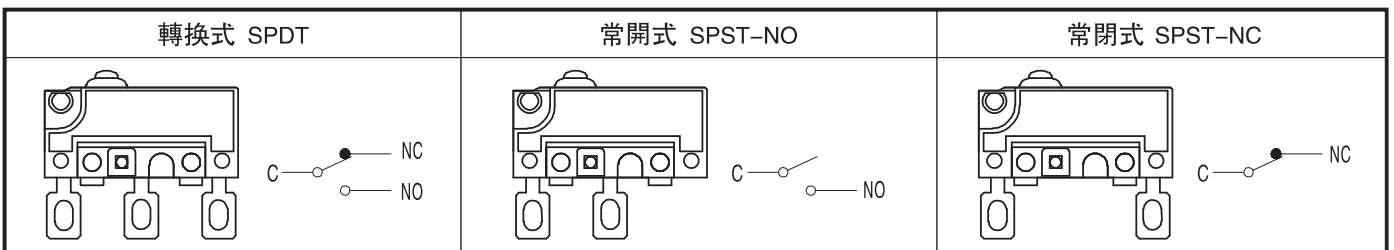
MP5 Series

Internal Configuration Drawing

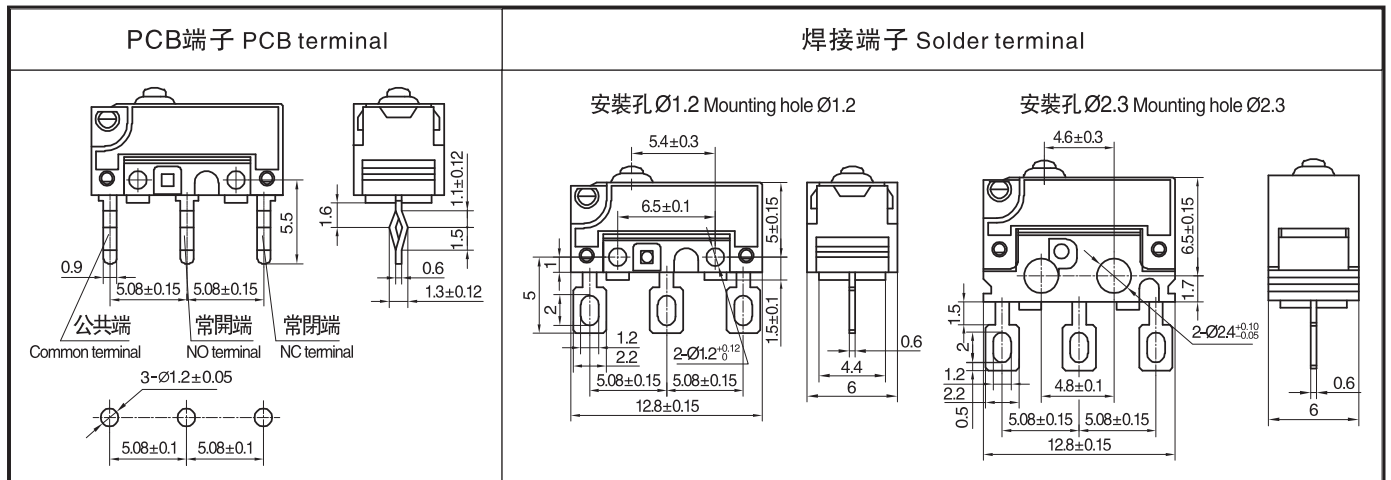


- | | |
|--------|---------------|
| 1 按鈕 | Plunger |
| 2 密封圈 | Hermetic loop |
| 3 蓋 | Cover |
| 4 可動片 | Moving piece |
| 5 電觸點 | Contact |
| 6 底座 | Case |
| 7 常閉端子 | NC terminal |
| 8 常開端子 | NO terminal |
| 9 支架 | Support |

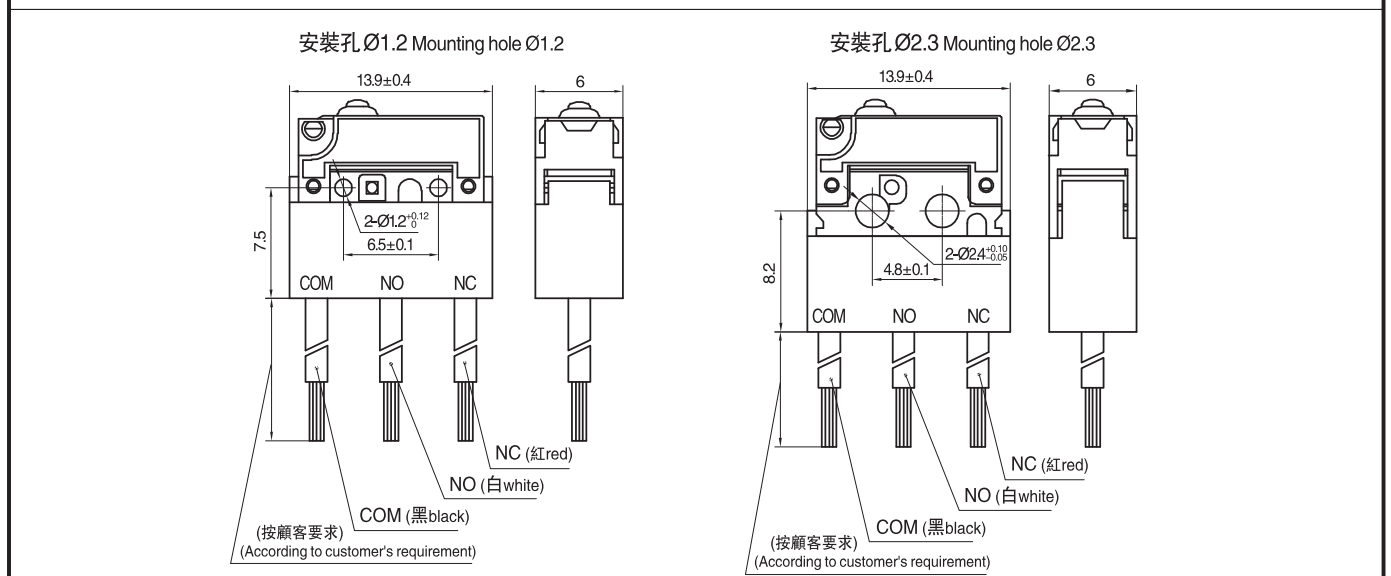
Circuit Illustration



Terminal Types and Mounting Dimension Illustration



底部導線型 Bottom wire leads type

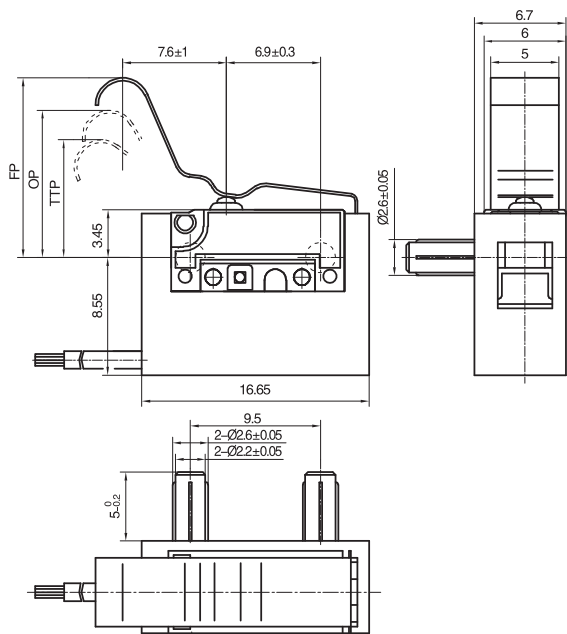


Micro Switches

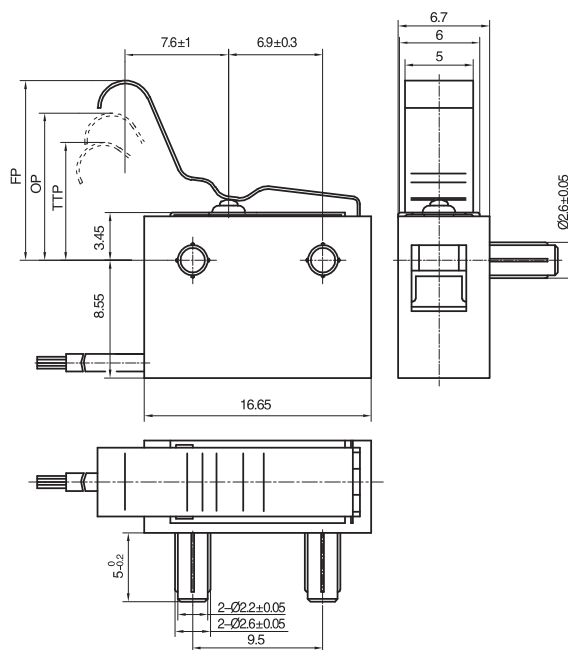
Subminiature Micro Switches Waterproof

MP5 Series

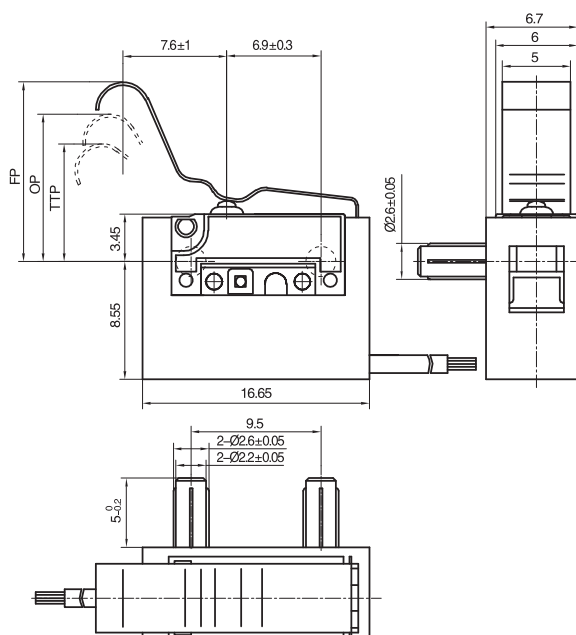
左側面導綫 Left side wire leads type
左側面固定銷 Left side fixed pin type



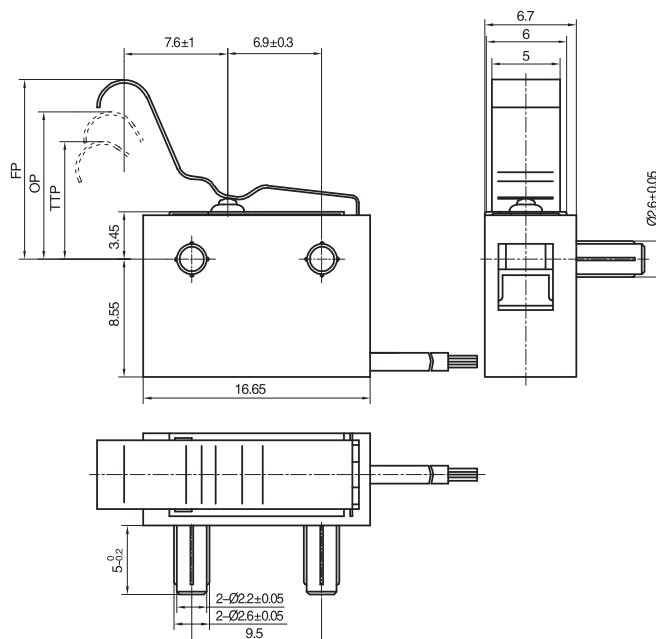
左側面導綫 Left side wire leads type
右側面固定銷 Right side fixed pin type



右側面導綫 Right side wire leads type
左側面固定銷 Left side fixed pin type



右側面導綫 Right side wire leads type
右側面固定銷 Right side fixed pin type

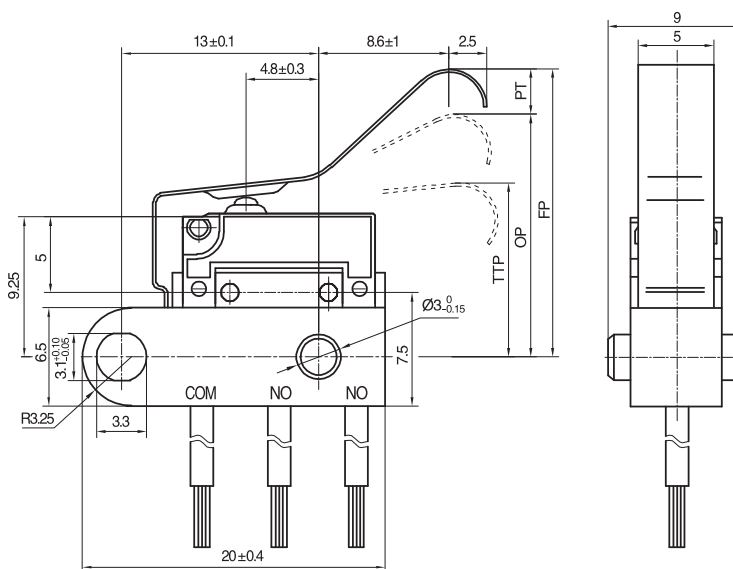


Micro Switches

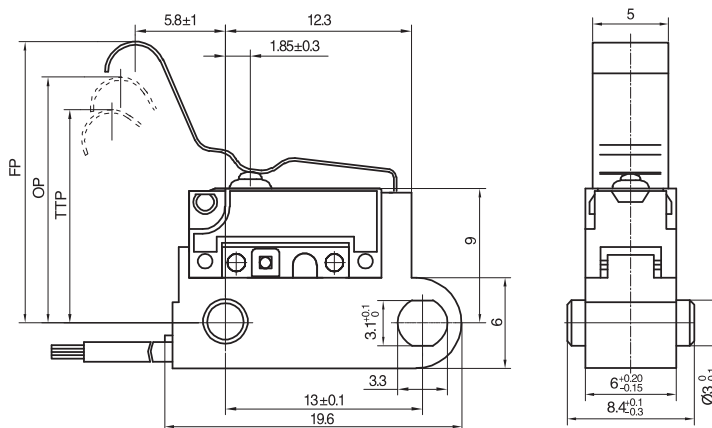
Subminiature Micro Switches Waterproof

MP5 Series

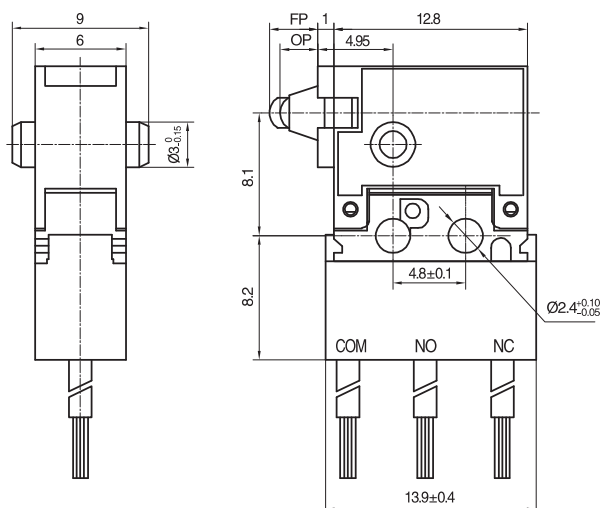
底部導綫型
Bottom wire leads type
安裝孔 $\Phi 3$
Mounting hole $\Phi 3$
葉片形動臂
Leaf lever



左側面導綫
Left side wire leads type
安裝孔 $\Phi 3$
Mounting hole $\Phi 3$



底部導綫型
Bottom wire leads type
安裝孔 $\Phi 2.3$
Mounting hole $\Phi 2.3$
長行程型
Long stroke type



Specifications

項目 Item	特性值 Value	
工作速度 Operating speed	1mm ~ 500mm/s (無動臂時 no lever)	
工作頻率 Operating frequency	機械 60次/min; 電氣 25次/min Mechanical 60 cycles/min; electrical 25 cycles/min	
絕緣電阻 Insulation resistance	≥ 100MΩ (500VDC)	
接觸電阻 Contact resistance	≤ 50mΩ (不帶導線型 Without wire)	
耐電壓 Test voltage	不相接端子間 Between non-continuous terminals	AC600V, 50/60Hz, 1min
	端子與不帶電金屬件之間 端子與地(外殼)之間 Between each terminal and other exposed metal parts Between each terminal and ground	AC1500V, 50/60Hz, 1min
抗振動 Vibration resistance	10 ~ 55Hz, 1.5mm 雙振幅 double amplitude	
抗衝擊 Shock resistance	最小Min.: 294m/s ² (30G) 接觸故障持續時間不超過1ms Contact opening max. 1 msec.	
防觸電保護等級 Electric shock proof protection grade	I 級 class	
外殼防護等級 Degree protection provided by enclosure	IEC IP50 (端子型 Terminal type) IEC IP67 (導線型 Wire leads type)	
壽命 Life	機械 ≥ 100,000次 Mechanical ≥ 100,000 cycles 電氣 ≥ 10,000次 Electrical ≥ 10,000 cycles	
安全認證 Safety approvals	UL、CUL、ENEC、DEMKO	