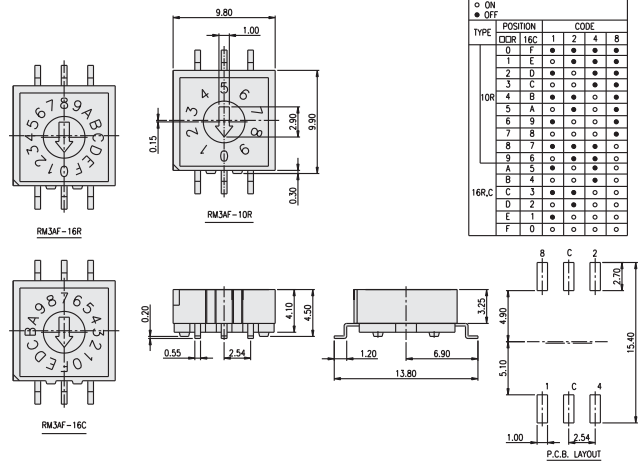
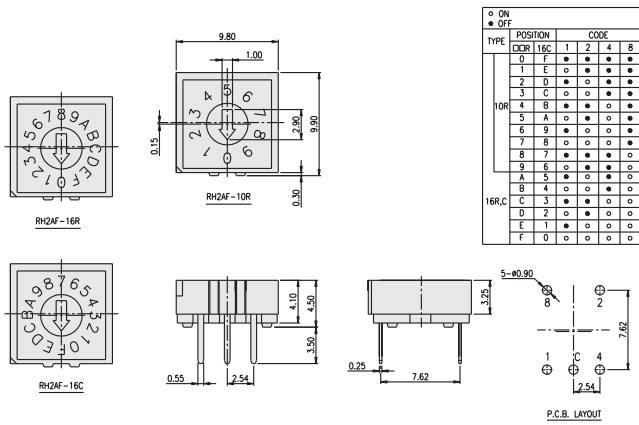


Rotary Switches

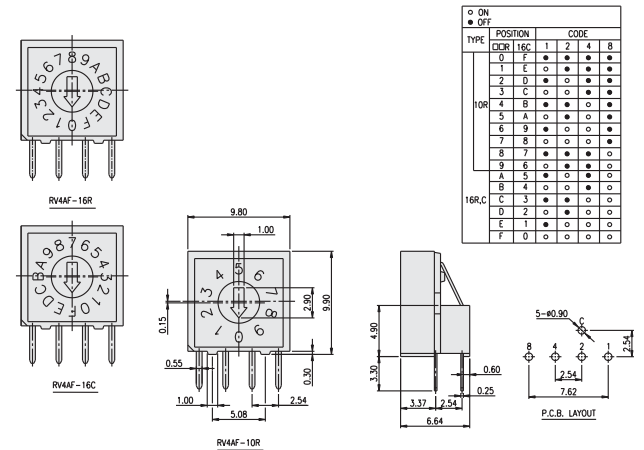
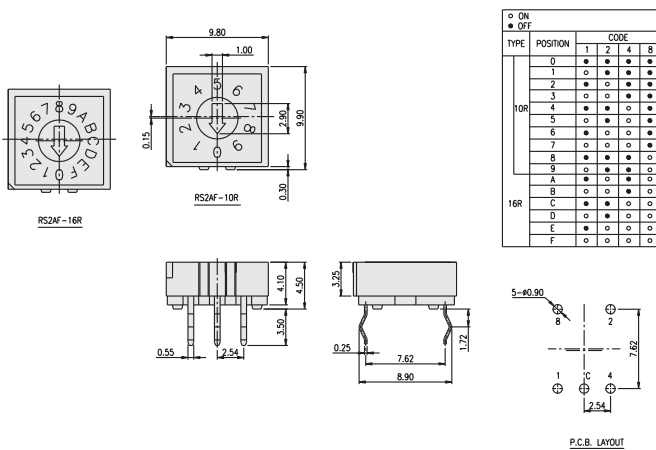
10 x 10 mm Slim Type Rotary DIP Switches

RD12 Series



RD12H THT Top Adjust Type

RD12S SMT Top Adjust Type



RD12K THT Kink Pin Top Adjust Type

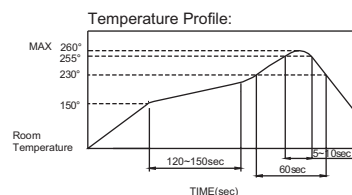
RD12R THT Right Angle Type

General Specifications:

- > Rating: 100mA 50VDC (Non-Switching)
25mA 24VDC (Switching)
- > Contact Resistance: 100 mohm Max. (initial)
- > Insulation Resistance: 100 Mohm Min. at 250VDC 1 Minute
- > Dielectric Strength: 250VAC (50/60Hz) for 1 Minute
- > Operating Force: 400gf Cm max.
- > Operating Life: 20,000 Cycles
- > Operating Temperature: -40°C ~ +85°C
- > Soldering Conditions:
 - Manuel Soldering 350°C Max. 5 Seconds Max.
 - Wave Soldering 260°C Max. 5 Seconds Max.
 - Reflow Soldering 260°C max. 10 seconds max.

Materials:

- BASE & COVER: UL 94-0 Nylon Thermoplastic (black)
- ACTUATOR: UL 94-0 LCP Thermoplastic (white)
- CONTACT: Copper alloy gold Plated over nickel
- TERMINAL: Brass gold plated



How to order:

RD12 1 2 3 4 5 6 7

- 1 TYPE OF TERMINALS:**
- H Through Hole
 - R Through Hole Right Angle
 - S Surface Mounting
 - K Kink Pin
- 2 TYPE OF PINOUT:**
- 1 3x3
 - 2 4x1
 - 3 3x2

- 3 ACTUATOR TYPE:**
- blank Recessed Actuator
 - H High Actuator 7.3mm
 - N Actuator Height 3.2mm (3x3 only)
- 4 NO. OF POSITIONS:**
- 10 10 Positions
 - 16 16 Positions
- 5 CODE:**
- R Real Code

- 6 TOP TAPE SEALED**
(Only for recessed actuator):
- N Without Top Tape (Std)
 - T With Top Tape
- 7 PACKAGING TYPE:**
- TB Tube
 - TR Tape & Reel (Only for S.M.T.)