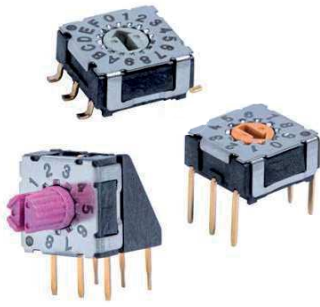


Rotary Switches

7.4 x 7.4 mm Sealed Mini Rotary DIP Switches

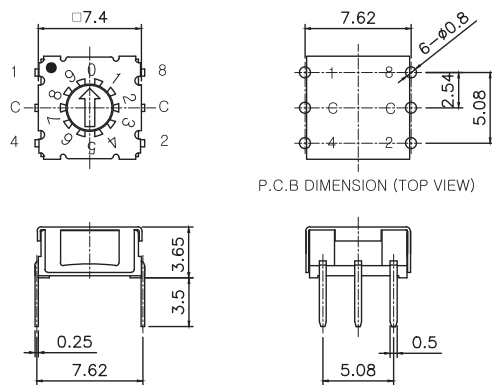
RD81 Series



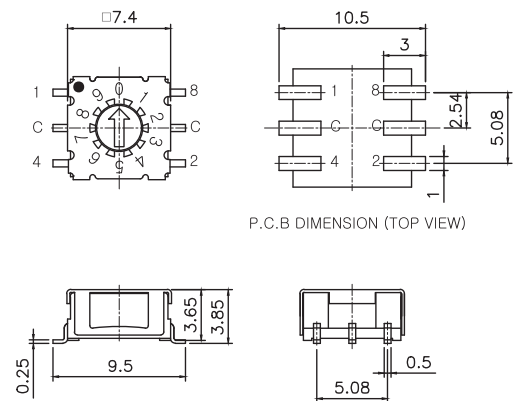
General Specifications:

1. Rating : 100mA, DC 42V (Switching)
400mA, DC 42V (None-Switching)
2. Contact Resistance: 80mΩ Max.
3. Insulation Resistance: 100MΩ Min at DC 250V
4. Operating Force: 120±30gf Max.
5. Life Cycle: 25,000 steps
6. Sealing : IP67 (Dust & Water proof)

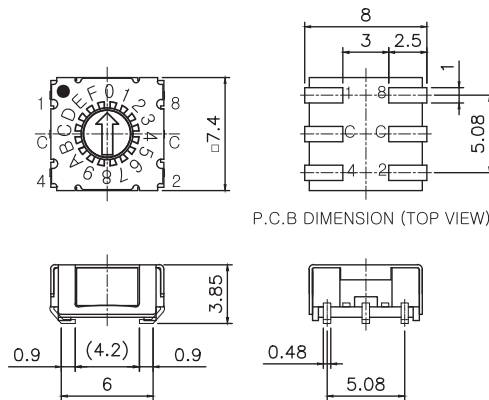
THT 3:3 Type



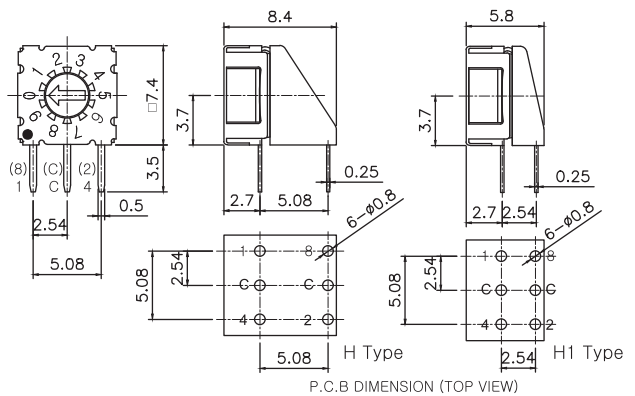
SMT 3:3 Type



J-SMT 3:3 Type



THT Right Angle Types



How to order:

RD81

- | | | | |
|--|--|--|--|
| 1 "0" POSITION
(See Drawing):
Blank Standard Type
Z Special Type | 3 TYPE OF TERMINALS:
H THT Top Adjust Type 3:3
HC THT Top Adjust Type 3:2
A1 THT Right Angle Side Adjust Type with Rows Spacing 2.54 mm
A2 THT Right Angle Side Adjust Type with Rows Spacing 5.08 mm | 4 ROTOR TYPE
(See Drawing):
S1 Arrow Type
S2 Shaft Type 4.5mm
S3 Shaft Type 1mm
S4 Shaft Type 4.2mm
S5 Shaft Type 3mm | 6 CODE:
R Real Code
S Complementary Code
G Gray Code |
| 2 CIRCUIT
(See Drawing)
Blank Standard Type
C Special Type | S SMT Top Type 3:3
SC SMT Top Type 3:2
J J-SMT Top Type 3:3
JC J-SMT Top Type 3:2 | 5 NO. OF POSITIONS:
04 4 Positions
10 10 Positions
16 16 Positions | 7 PACKAGING TYPE:
TB Tube
TR Tape & Reel (RD81S Only) |

Rotary Switches

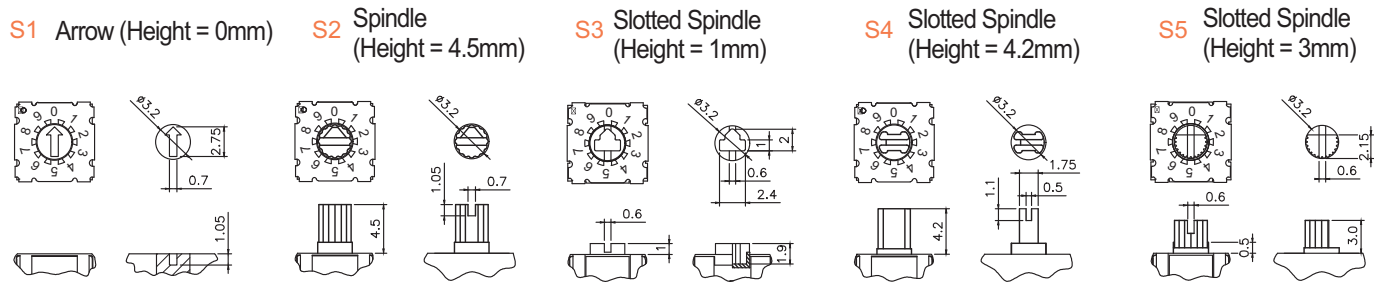
7.4 x 7.4 mm Sealed Mini Rotary DIP Switches

RD81 Series

CODE

REAL CODE		COMPLEMENT CODE		GRAY CODE	
Actuator Color: RD81: Red RD81Z: Green RD81ZC: Yellow	Actuator Color: RD81: Gray RD81Z: Indigo	Actuator Color: RD81: Orange RD81Z: Violet	Actuator Color: RD81: Ivory	Actuator Color: RD81: Brown	Actuator Color: RD81: Blue

ROTARY TYPE



MATERIAL LIST

NO	PART NAME	Q'TY	MATERIALS	TREATMENT	REMARK
1	COVER	1	LCP		Print:Black
2	BASE	1			
3	ACTUATOR	1	PA66, STS		
4	CONTACT & TERMINAL	1	PHOSPHOR BRONZE	CONTACT AND TERMINAL PLATING: GOLD PLATING OVER NICKEL	Au 0.07 μ m Min Ni 0.1 μ m Min
5	PCB	1	EPOXY	PLATING: GOLD PLATING	Au 0.05 μ m Min
6	O-Ring	1	SILICONE		

SOLDERING

1. Soldering Temperature:

P.C.Board terminal	SMT Type terminal
260°C \pm 5°C	See the temperature profile
5 \pm 1sec	

2. Duration of solder Immersion: 5 \pm 1 sec

3. Frequency of soldering process:

2times max

(PCB is 1.6mm in thickness)

