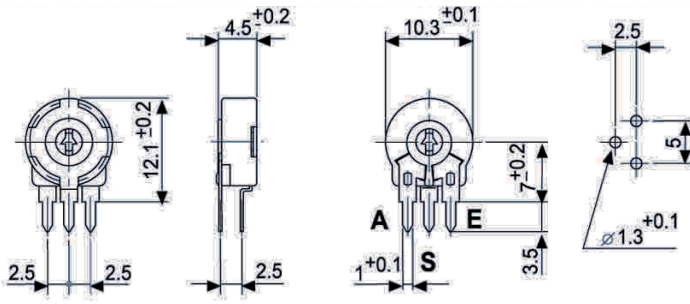


Potentiometers

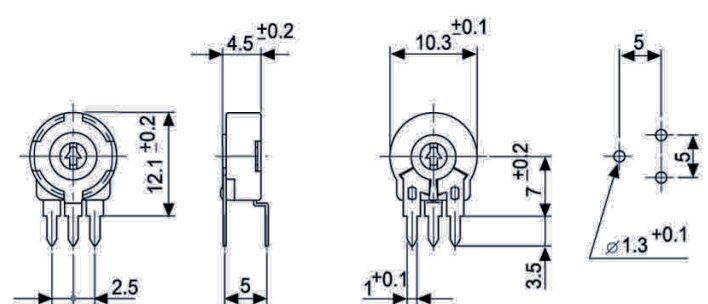
10mm Trimming Potentiometers

GP63 Series

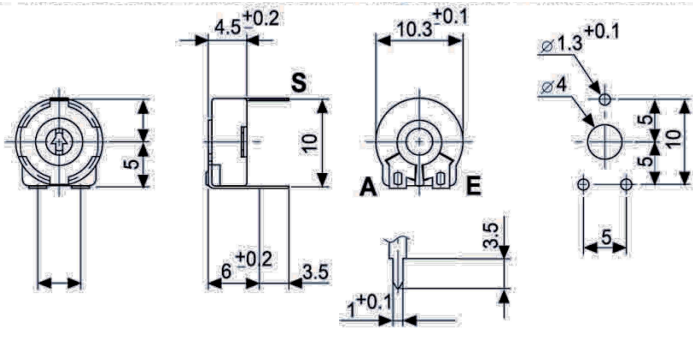


A = Initial S = Wiper E = Final

Right Angle Type Pitch 2.5mm

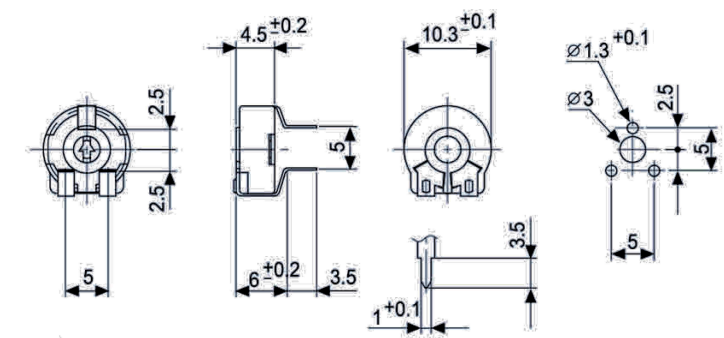


Right Angle Type Pitch 5mm

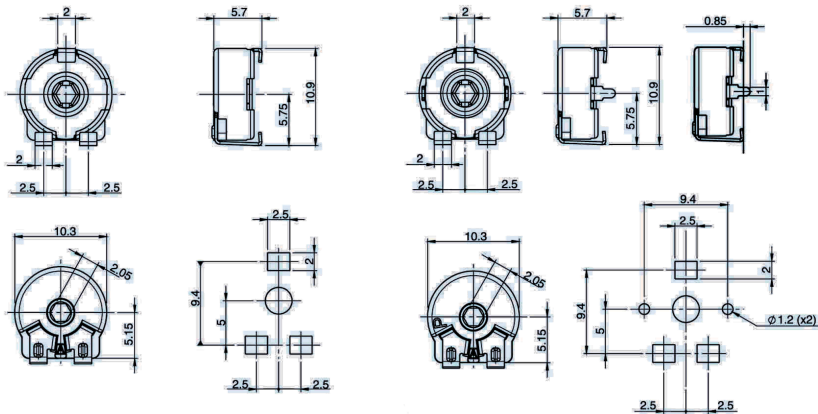


A = Initial S = Wiper E = Final

Straight Type Pitch 10mm

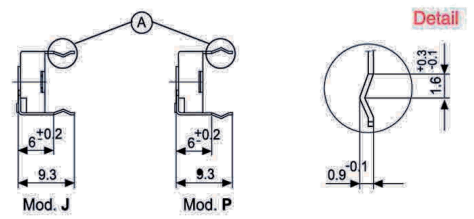


Straight Type Pitch 5mm



SMT Type 1

SMT Type 2



Snap-In Terminals

How to order:

GP63

1	2	3	4	5	6
<input type="text"/>	<input type="text"/>	<input type="text"/>	<input type="text"/>	<input type="text"/>	<input type="text"/>

1 TYPE & TERMINALS:

- A1 Right Angle Type Pitch 2.5 mm
- A2 Right Angle Type Pitch 5 mm
- H Top Type THT Straight
- P Top Type THT Snap-In Mod. P
- J Top Type THT Snap-In Mod. J
- S1 SMT 1
- S2 SMT 2

2 TYPE OF ROTOR:

- L Arrow Type (see drawing)
- K Cross Slot Thru Type (See drawing)
- G Hexagonal Thru Hole Type 1 (See drawing)
- M Hexagonal Thru Hole Type 2 (See drawing)

3 TYPE OF TAPER:

- A Logarithm
- B Linear
- C Anti-Logarithm

4 RESISTANCE VALUE (Ω)it:

- free text 100 Ω to 5M Ω
- e.g.: 220K for 220.00Ω

5 RESISTANCE TOLERANCE:

- 20 ± 20% (100 Ω to 1MΩ)
- 30 ± 30% (1M Ω to 5MΩ)

6 SHAFT:

- blank Without Shaft (Standard)
- 1 Type 1 (See drawing)
- 2 Type 2 (See drawing)
- 3 Type 3 (See drawing)
- 4 Type 4 (See drawing)
- 5 Type 5 (See drawing)
- 6 Type 6 (See drawing)

All specifications are restricted to QA test criteria.
DRW: J.Y. GONG CHK: Y.F. YAN APP: Z.W. LI DC: 2009-11-13. UPD: 2025-05-19.

微调合成碳膜电位器 SPECIFICATIONS

一般事项

General

□此规格适用于电子设备之可变电阻器.

-This specification is applied to potentiometers used for electronic equipment.

□使用温度范围: $-25^{\circ}\text{C} \sim +70^{\circ}\text{C}$

-Operating temperature: $-25^{\circ}\text{C} \sim +70^{\circ}\text{C}$

特点

Features

□长寿命, 低成本

-Carbon resistive element.

□优良的防尘结构, 没有任何开口部分

-Dust proof enclosure.

□阻值线性多样化

-Polyester substrate.

□力矩小

-Also upon request:

□旋转 50%处有定位或整个旋转行程带定位

◇Wiper positioned at 50% or fully clockwise.

◇Supplied in magazines for automatic insertion.

◇Long life model for low cost control pot applications

◇self extinguishable plastic UL 94V-0

◇cut track option

◇special tapers

◇mechanical detents

◇low & extra low torque versions

◇special switch option

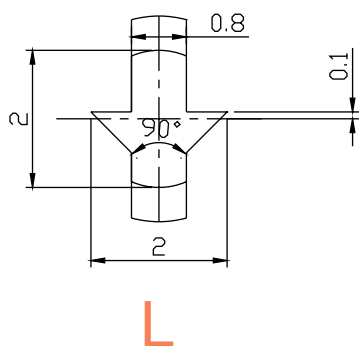
性能说明 CHARACTERISTICS

电气性能 ELECTRICAL SPECIFICATIONS

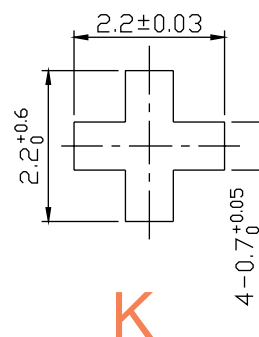
阻值范围 Range of valuse	$100\ \Omega \leq R_n \leq 5M\ \Omega$
阻值误差 Tolerance	$100\ \Omega \leq R_n \leq 1M\ \Omega \dots\dots\dots \pm 20\%$ $1M\ \Omega < R_n \leq 5M\ \Omega \dots\dots\dots \pm 30\%$
最大电压 Max. voltage	200V DC (lin), 100V DC (no lin)
额定功率 Rated power	0.15W (lin), 0.07W (no lin)
线性 Taper	Lin, Log, Alog
残留电阻 Residual resistance	$\leq 5\% R_n (3\ \Omega \text{ min})$
平滑性 Equivalent noise resistance	$\leq 3\% R_n (3\ \Omega \text{ min})$

机械性能 MECHANICAL SPECIFICATIONS	
机械旋转角度 Mechanical rotation angle	235° ±5°
电气旋转角度 Electrical rotation angle	220° ±20°
旋转力矩 Torque	0.4~2Ncm
止档力矩 Stop torque	>5Ncm
机械耐久性 Mechanical endurance	Long life 10,000cycles
焊接 Soldering	温度 T≤260°C±5°C,时间 t≤5s

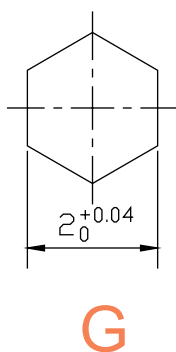
ROTORS(孔的形式)



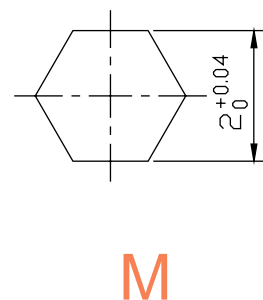
L



K



G



M

