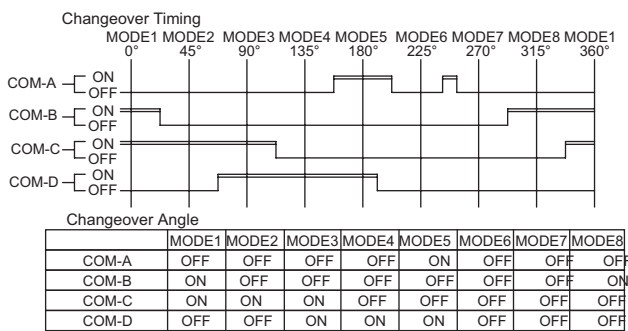
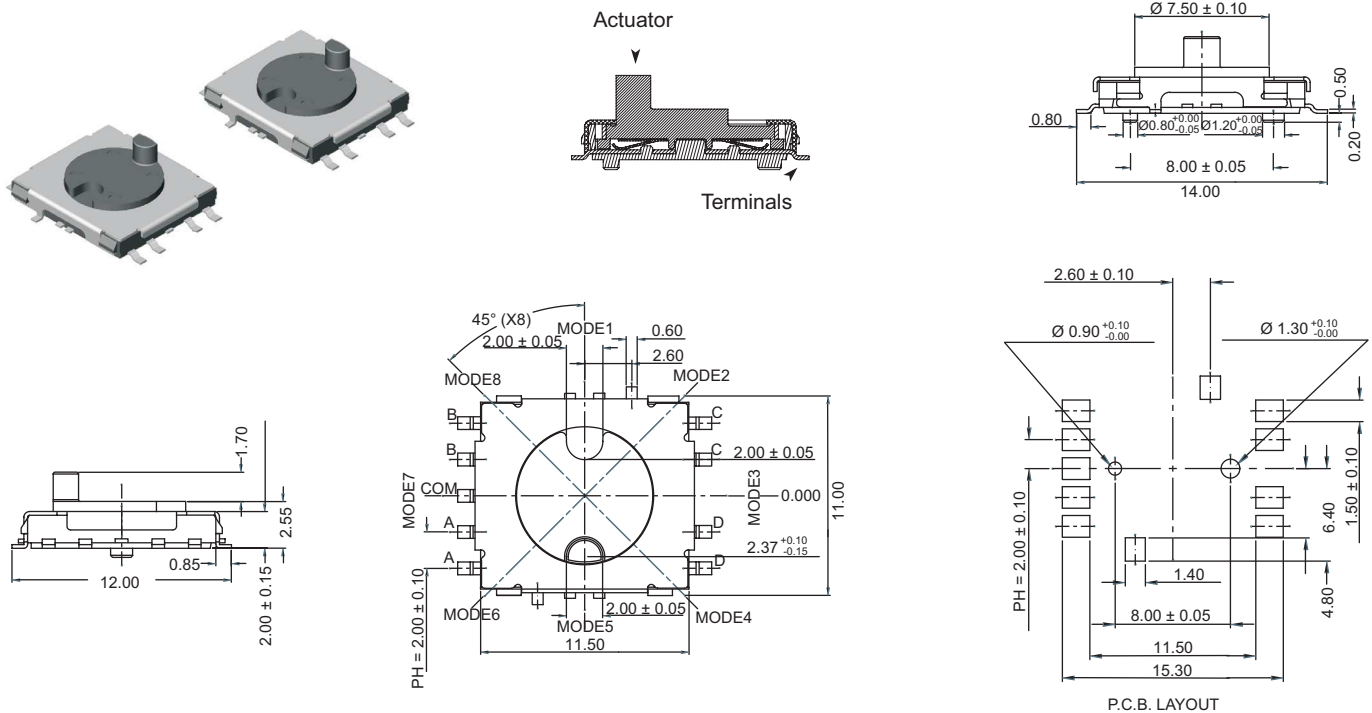


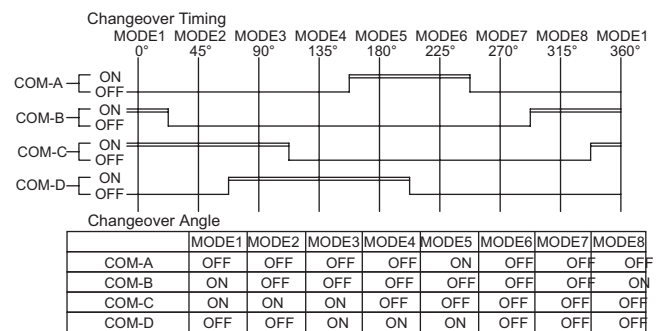
Encoders

Low Profile SMT Encoder with 8 Sections

EC1 Series



EC1A 7 Circuit



EC1K 8 Circuit

How to order:

EC1

1 CIRCUIT & BASE COLOR:

- A 7 Circuit & Black Base
- K 8 Circuit & Brown Base

2 GROUND TERMINAL:

- N Without Ground Terminal (Standard)
- G With Ground Terminal

3 ACTUATING FORCE & COLOR OF ACTUATOR:

- 000 Non-Click & Brown Actuator
- 130 130±50gf & Brown Actuator
- 040 40±30gf & Blue Actuator

4 PACKAGE:

- TR Tape & Reel

General Tolerance: ± 0.2 mm

General Specifications:

FEATURES

- » Surface mounting type low profile encoder switches
- » Non operation feeling type is available

MATERIALS

- » Contact: Alloy copper
- » Spring Plate: Stainless steel
- » Terminal: Brass with silver plated

MECHANICAL

- » Mechanical Life: 200m Ω max. 10,000 cycles
- » Operating Temperature Range: -20°C to +80°C
- » Storage Temperature: -40°C to +85°C

ELECTRICAL

- » Electrical Life: 200m Ω max. 10,000 cycles
- » Non-Switching Rating: 100mA, 50VDC
- » Switching Rating: 25mA, 24VDC

LEADFREE SOLDERING PROCESSES

- » Reflow Soldering: When applying reflow soldering, the peak temperature or the reflow oven should be set to 260°C 10 seconds max.