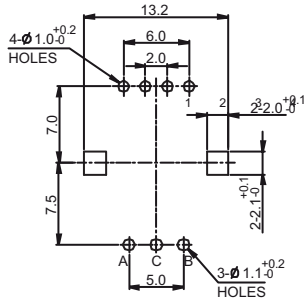


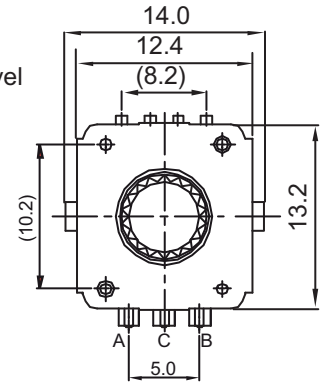
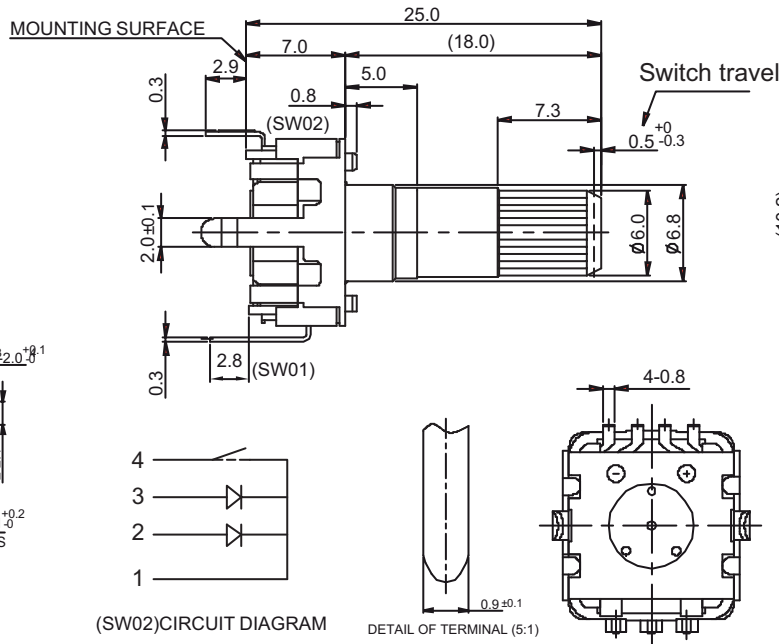
Encoders

12mm Insulated Shaft Rotary Encoder with LED

EC7 Series



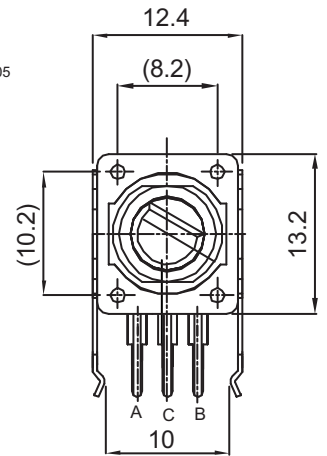
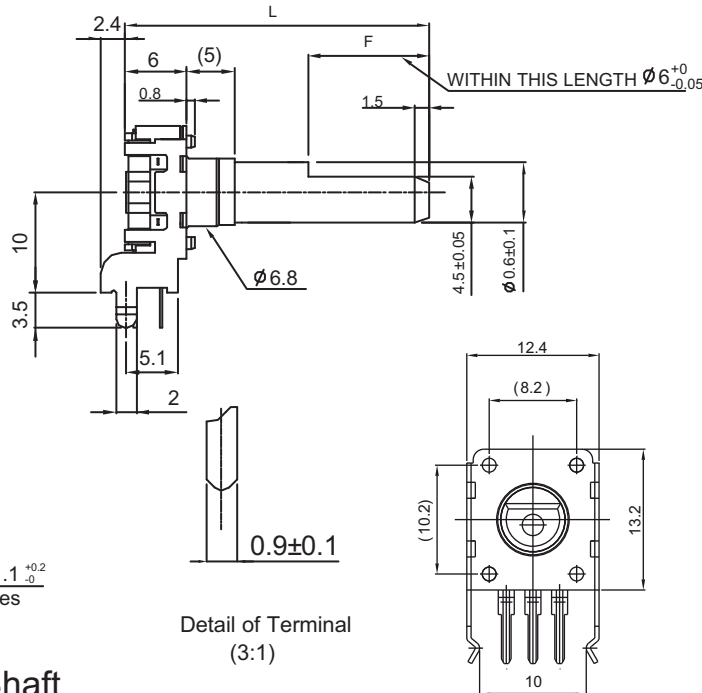
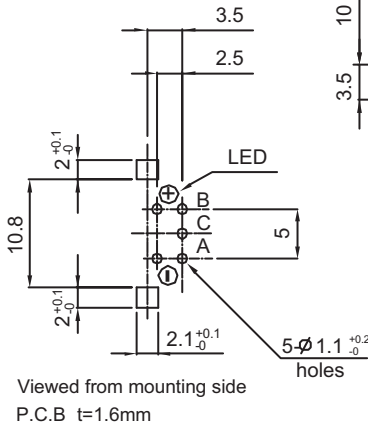
P.W.B MOUNTING DETAIL
 (TOLERANCE ± 0.1)
 VIEWED FROM MOUNTING SIDE
 (P.C.B) t=1.5mm



LED COLOR:

CODE	COLOR	TERMINAL
GD	BLUE	1 2
	ORANGE	1 3
CF	RED	1 2
	GREEN	1 3
GF	BLUE	1 2
	GREEN	1 3

Vertical Type, Knurled Shaft, with Switch



LED COLOR:

CODE	COLOR
D	ORANGE
G	BLUE
C	RED
F	GREEN

Horizontal Type, Flat Shaft

How to order:

EC7

1 LED COLOR (dual-color if with switch):

- N No Illuminated
- C Red
- D Orange
- F Green
- G Blue
- B White
- GD Blue/Orange (with switch)
- CF Red/Green (with switch)
- GF Blue/Green (with switch)
- RGBRGB (with switch)

2 SWITCH:

- 0 Without Switch
- 1 With Switch

3 BUSHING (drawing 1):

- Blank Without Bushing
- B With non-threaded Bushing

4 TYPE OF TERMINAL (drawing 2):

- 2 PC Board (horizontal)
- 4 PC Board (vertical)

5 "LB" Length (drawing 3):

- Blank 5mm (Standard)
- A 0.6mm (vertical type only)
- C 1.5mm (vertical type only)

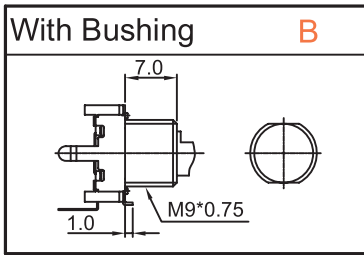
6 SHAFT SHAPE (drawing 4):

- K Knurled Type Length 24mm (without Switch)
- Knurled Type Length 25mm (with Switch)
- ...F Flat Type with different Length (page 2)
- With Bushing: 15F, 17.5F, 20F, 22.5F, 25F, 30F
- Without Bushing: 15F, 17.5F, 20F, 25F, 30F

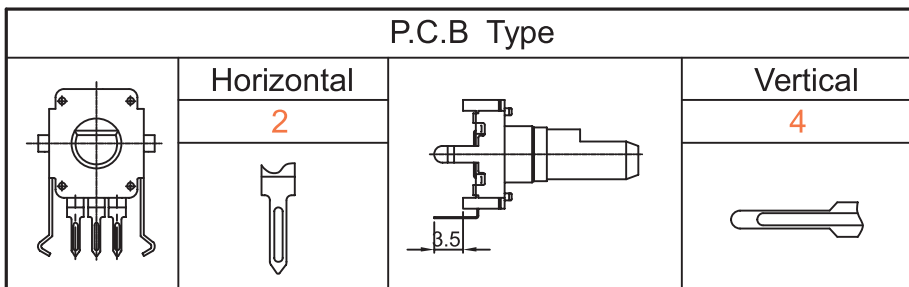
7 PULSE AND DETENT:

- N 24 Pulse none Detent
- D 24 Pulse with 24 Detents

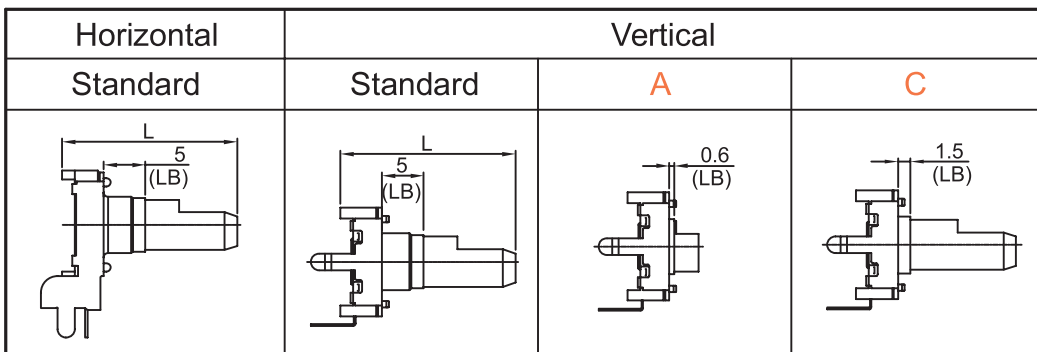
Drawing 1: Bushing



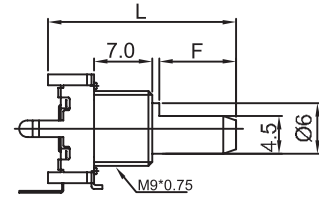
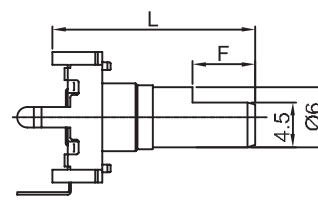
Drawing 2: Type of Terminal



Drawing 3: "LB" Length



Drawing 4: Shaft Shape

F - Type															
	With Bushing							Without Bushing							
		L	15	17.5	20	22.5	25		30	L	15	17.5	20	25	30
		F	7	5	7	7	12		12	F	7	5	7	12	12
Code		15F	17.5F	20F	22.5F	25F	30F		15F	17.5F	20F	25F	30F		