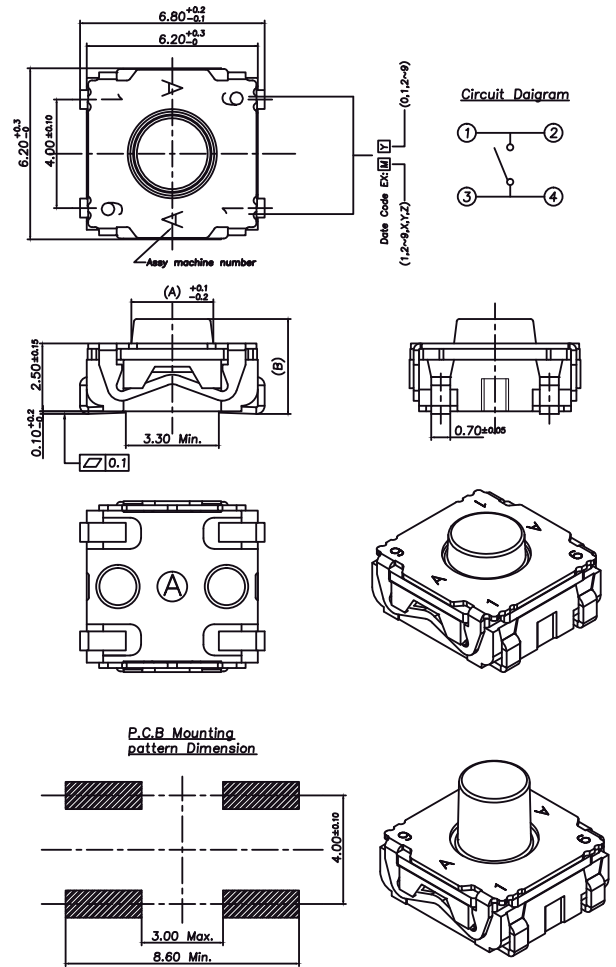
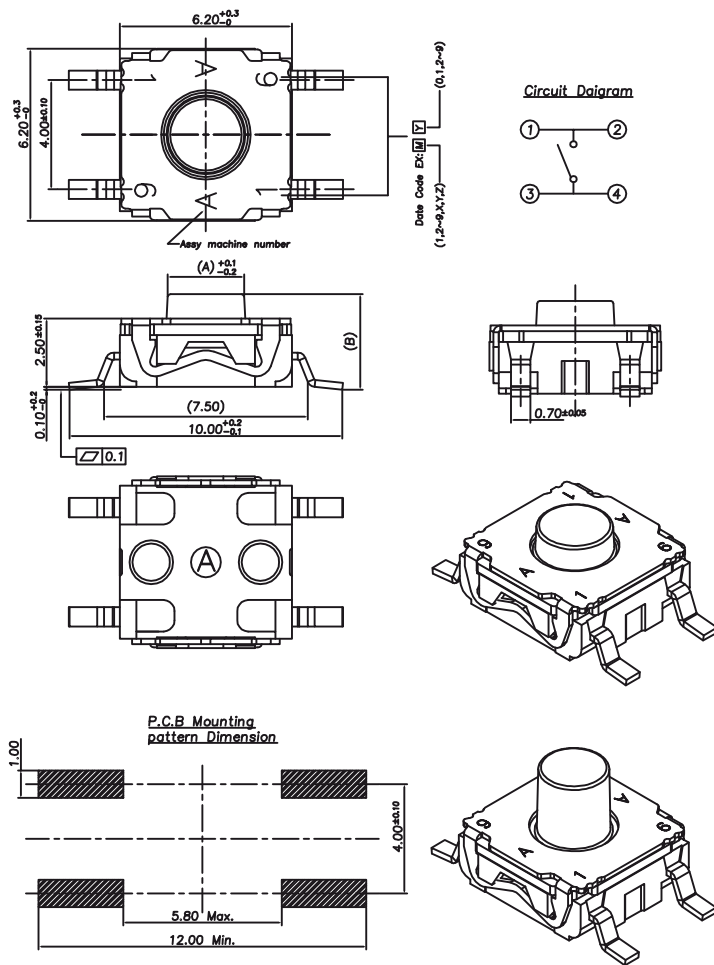


Tactile Switches

6x6mm Washable Tactile Switch IP67 Halogen-free

TP33W Series



UNIT: mm

SPECIFICATIONS:

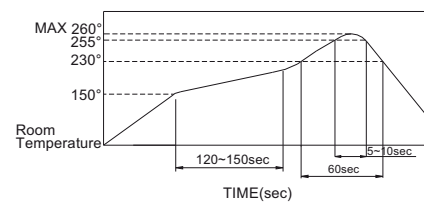
- > Rating: 50mA 32VDC Max.
1mA 20mV Min.
- > Contact Resistance: 100 mohm Max.
- > Insulation Resistance: 10 Mohm Min. at 100VDC
- > Dielectric Strength: 250VAC 1 Minute
- > Operating Life: 300,000 Cycles Min. (for 350±100gf)
500,000 Cycles Min. (for 200±50gf)
5,000,000 Cycles Min. (for 160±50gf)
- > Control Strength: 5kgf Max. vertical static 60 Seconds
- > Stroke: 0.3±0.20 mm (for 160±50gf)
0.35±0.15 mm (for 200±50gf)
0.50±0.20 mm (for 350±100gf)
- > Operating Temperature: -40°C ~ +85°C
- > Protection Degree: IP67

MATERIALS:

- > Stem: Silicone Rubber
- > Terminal: Brass, Silver Plating
- > Contact: Stainless Steel, Silver Plating
- > Cover: Stainless Steel
- > Base: High-Temp. Thermoplastic LCP black

SOLDERING CONDITIONS:

> SMT



> Manual Soldering

Soldering Temperature(錫錫溫度)	Max.350°C
Continuous Soldering Time(連續錫錫時間)	Max. 5 seconds

Tolerance unless otherwise stated:±0.2mm
Solder thickness: 0.10mm

How to order:



1 TERMINALS:

- S SMT
- J SMT J-Bending

2 TOTAL HEIGHT "H":

- 35 3.5mm
- 52 5.2mm
- 47 4.7mm
- 43 4.3mm

3 STEM COLOR & OPERATING FORCE:

- K Brown, 160gf
- C Red, 200gf
- S Salmon, 350gf

4 CONTACT PLATING:

- AG Silver Plating
- AU Gold Plating

5 PACKAGING:

- TR Tape & Reel



All specifications are restricted to QA test criteria.
DRW: D. L. JIN, CHK: D.F. LEE, APP: H.Z. QIU, DC: 2017-02-13, UPD: 2020-08-17.