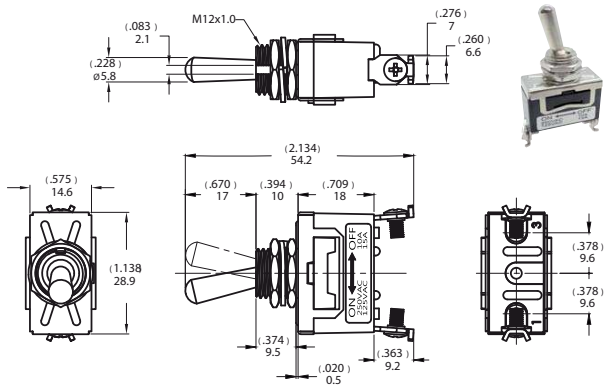


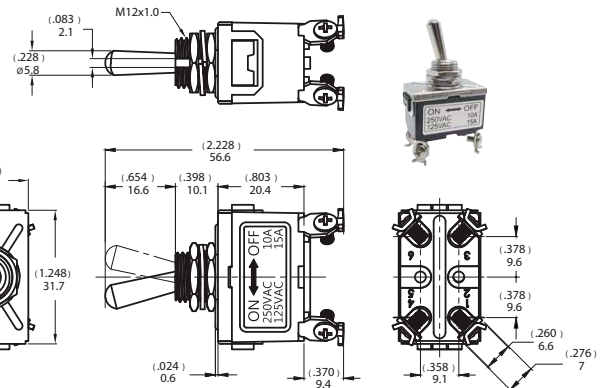
Toggle Switches

High Capacity Toggle Switches up to 20A

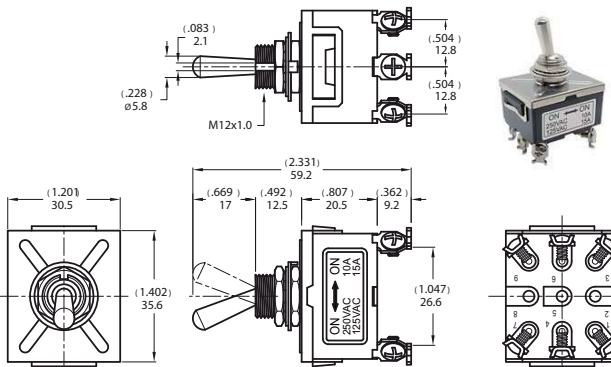
TK70 Series



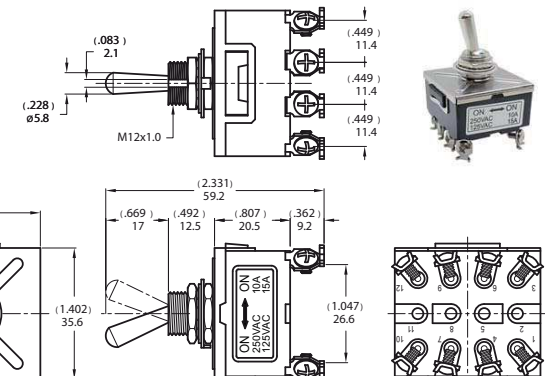
TK70S1A3B2T2



TK70D3A3B2T2



TK70T1A3B2T2



TK70F1A3B2T2

SPECIFICATIONS

Rating:	20A 125VAC 15A 125/250VAC 10A 250VAC
Insulation Resistance:	DC 500V 200MΩ Min.
Contact Resistance:	DC 2-4V 1A 20mΩ Max.
Withstand Voltage:	AC 1,500V Min.
Operating Force:	400±150gf (SP); 700±200gf (DP)
Mechanical Life:	30,000 Cycles
Electrical Life:	6,000 Cycles
Operating Temperature:	-30°C ~ +85°C

HOW TO ORDER:

TK70

1 POLES & CIRCUIT:	D1 DP OFF-NONE-ON	T1 3P ON-NONE-ON	F1 4P ON-NONE-ON	2 ACTUATOR:
S1 SP OFF-NONE-ON	D2 DP OFF-NONE-MOM	T2 3P ON-NONE-(ON)	F2 4P ON-NONE-(ON)	See Drawings
S2 SP OFF-NONE-MOM	D3 DP ON-NONE-ON	T3 3P ON-OFF-ON	F3 4P ON-OFF-ON	
S3 SP ON-NONE-ON	D4 DP MOM-NONE-ON	T4 3P ON-OFF-MOM	F4 4P ON-OFF-MOM	3 BUSHING:
S4 SP MOM-NONE-ON	D5 DP ON-OFF-ON	T5 3P MOM-OFF-MOM	F5 4P MOM-OFF-MOM	See Drawings
S5 SP ON-OFF-ON	D6 DP MOM-OFF-ON		F6 4P OFF-NONE-ON	
S6 SP MOM-OFF-ON	D7 DP MOM-OFF-MOM		F7 4P OFF-NONE-(ON)	4 TERMINALS:
S7 SP MOM-OFF-MOM				See Drawings

Note: Standard A3B2T2

Toggle Switches

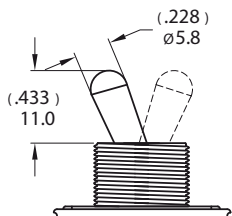
High Capacity Toggle Switches up to 20A

TK70 Series

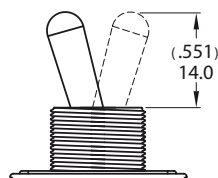
SWITCH FUNCTION

NO. POLES	MODEL NO.	SWITCH FUNCTION			CONNECTED TERMINALS / SCHEMATIC			3P	TK70T1	ON	NONE	ON	2-3,5-6,8-9	OPEN	1-2,4-5,7-8
		POS.1	POS.2	POS.3	POS.1	POS.2	POS.3								
SP	TK70S1	OFF	NONE	ON	OPEN	N/A	1-3	4P	TK70T1	ON	NONE	ON	2-3,5-6 8-9,11-12	OPEN	1-2,4-5 7-8,10-11
	TK70S2	OFF	NONE	MOM	2-3	N/A	2-1		TK70T2	ON	NONE	(ON)			
	TK70S3	ON	NONE	ON					TK70T3	ON	OFF	ON			
	TK70S4	MOM	NONE	ON	1-3	OPEN	1-3		TK70T4	ON	OFF	MOM			
	TK70S5	ON	OFF	ON					TK70T5	MOM	OFF	MOM			
	TK70S6	MOM	OFF	ON					TK70F1	ON	NONE	ON			
	TK70S7	MOM	OFF	MOM					TK70F2	ON	NONE	(ON)			
DP	TK70D1	OFF	NONE	ON	OPEN	N/A	1-3 4-6	TK70F3	ON	OFF	ON	OPEN	N/A	1-3,4-6 7-9,10-12	
	TK70D2	OFF	NONE	MOM	2-3,5-6	N/A	2-1,5-4	TK70F4	ON	OFF	MOM				
	TK70D3	ON	NONE	ON				TK70F5	MOM	OFF	MOM				
	TK70D4	MOM	NONE	ON	1-3 4-6	OPEN	1-3 4-6	TK70F6	OFF	NONE	ON				
	TK70D5	ON	OFF	ON				TK70F7	OFF	NONE	(ON)				
	TK70D6	MOM	OFF	ON											
	TK70D7	MOM	OFF	MOM											

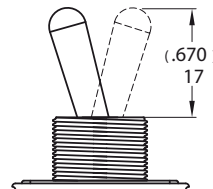
ACTUATOR OPTIONS



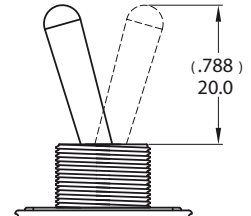
A1



A2



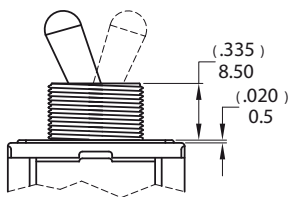
A3



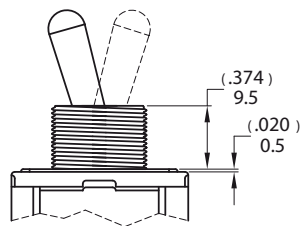
A4

Note: A1-A4 Actuators are shown with Bushing B1. For other specifications, please consult sales representative.

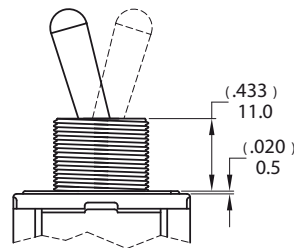
BUSHING OPTIONS



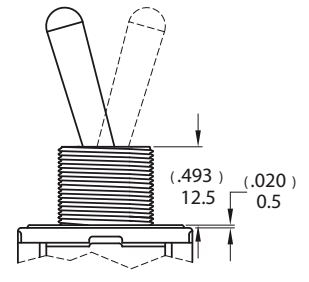
B1



B2

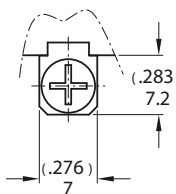


B3

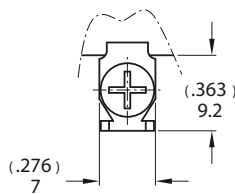


B4

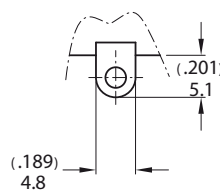
TERMINATION OPTIONS



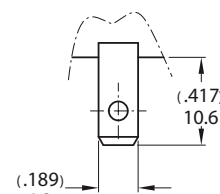
T1



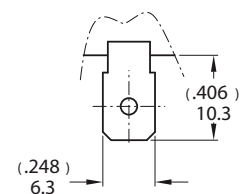
T2



T3

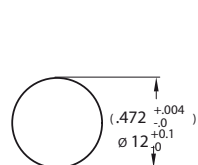


T4

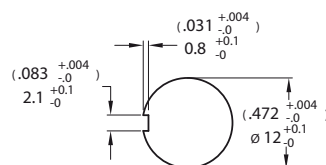


T5

PANEL MOUNTING



Mounting Hol



With Keyway