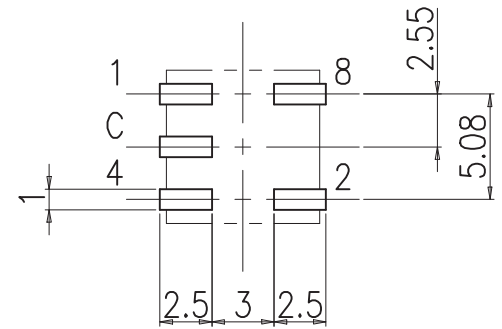
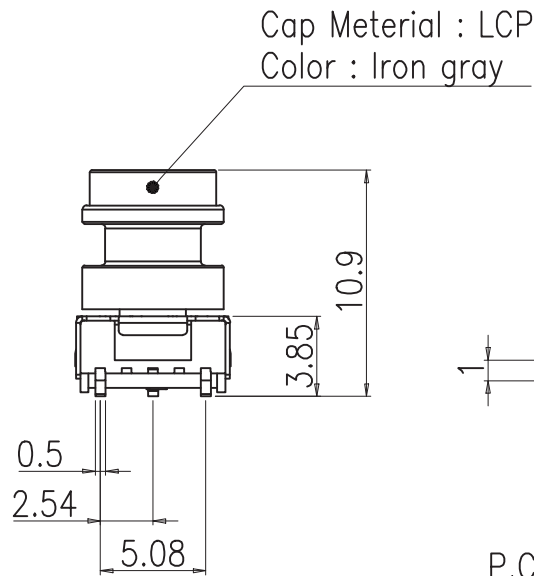
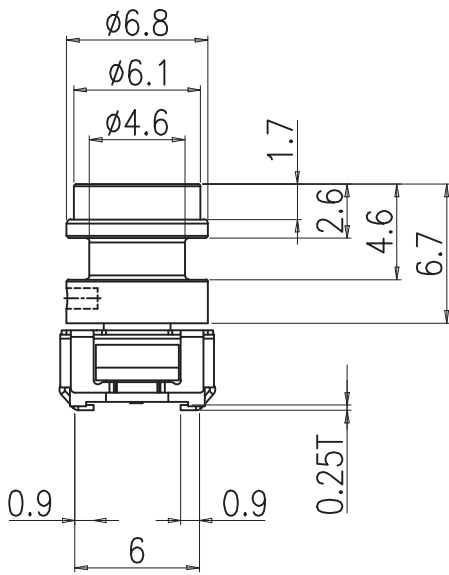


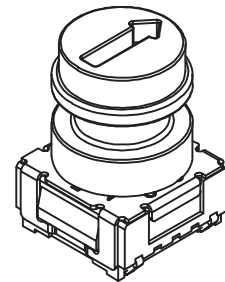
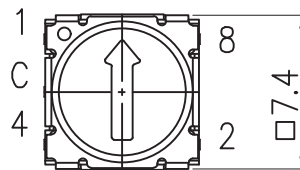
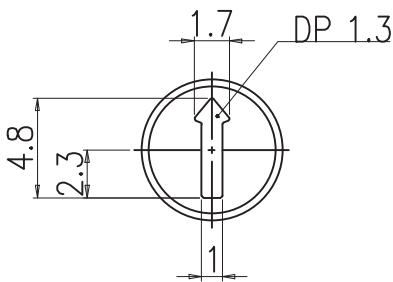
# Rotary Switches

7.4x7.4mm Sealed Rotary DIP Switch with Knob

P/N: RD81JCS410RTR+AK-81H



P.C.B DIMENSION (Top View)



## SPECIFICATIONS

- Rating : 100mA, DC 42V (Switching)  
400mA, DC 42V (None-Switching)
- Contact Resistance : 80mΩ Max
- Insulation Resistance : 100MΩ Min at DC 250V
- Operating Force : 120 ±30gf
- Life cycle : 25,000 steps
- Sealing : IP67 (Dust & Water proof)

		Real Coded				
		C	1	2	4	8
10 P o s i t i o n	0	●				
	1	●	●			
	2	●		●		
	3	●	●	●		
	4	●			●	
	5	●	●		●	
	6	●		●	●	
	7	●	●	●	●	
	8	●				●
	9	●	●			●