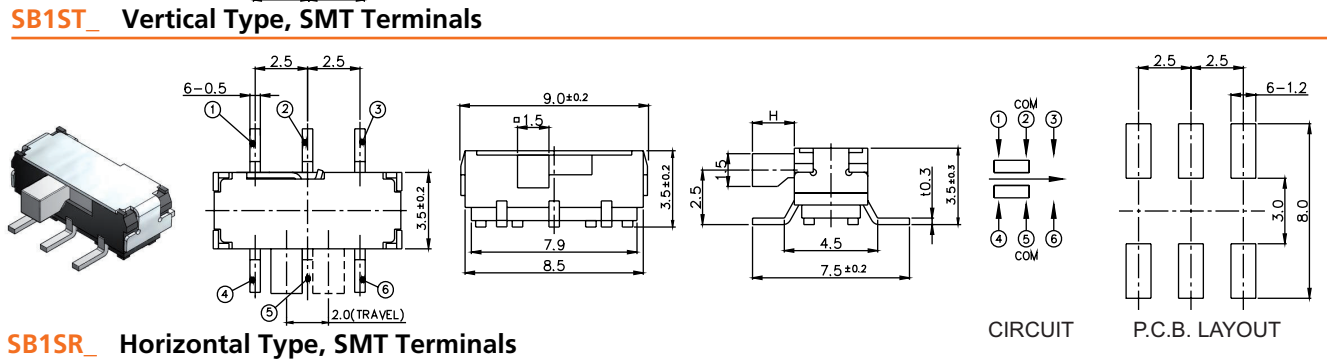
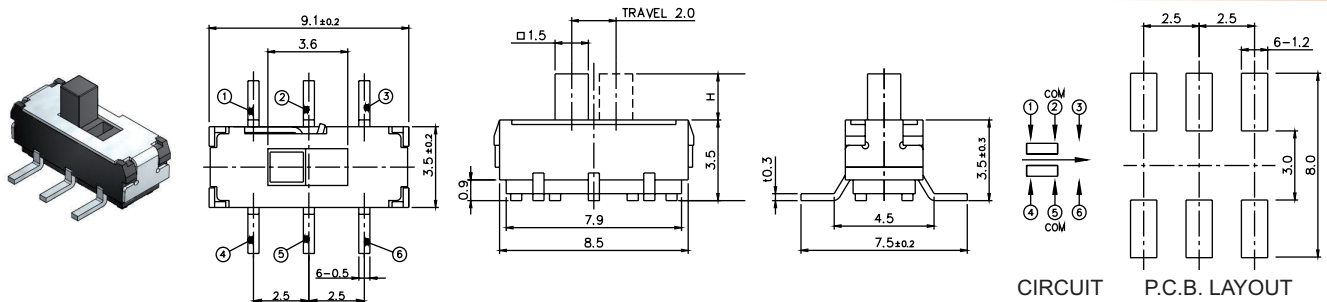
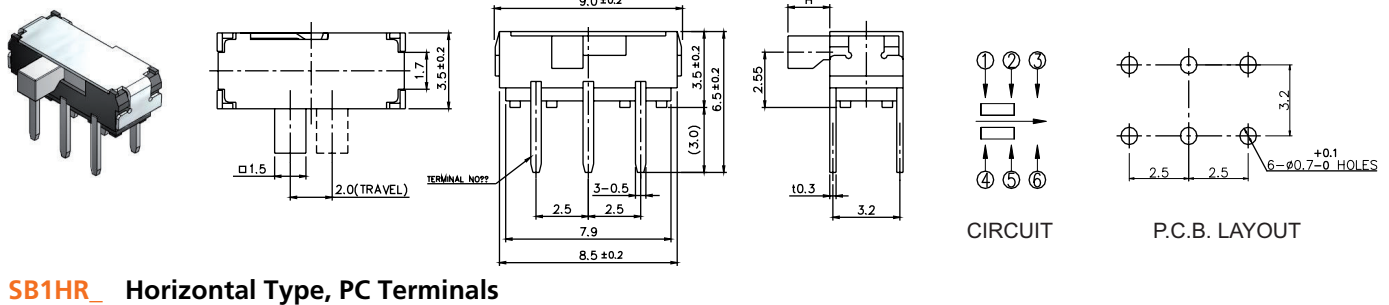
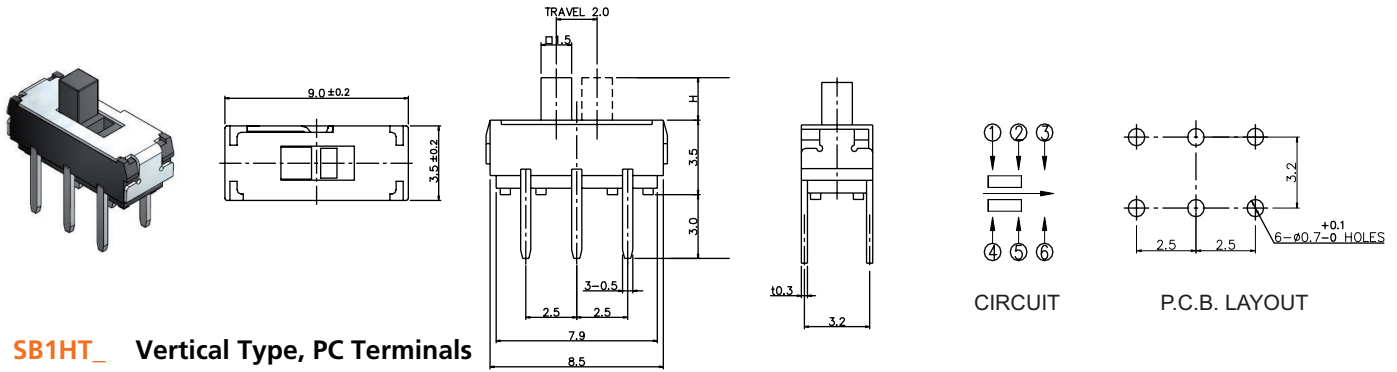


Slide Switches

9 mm Slide Switches

SB1 Series



HOW TO ORDER:

SB1 

- 1 TYPE OF TERMINALS:**
 - H PC Terminals
 - S Surface Mounting Type Terminals
- 2 TYPE OF ACTUATING:**
 - T Vertical Type (Top Actuating)
 - R Horizontal Type (Side Actuating)
- 3 LENGTH OF ACTUATOR (Dimension "H"):**
 - 2 2.0 mm
 - 4 4.0 mm

SPECIFICATIONS:

- > Rating: 0.3A 6VDC
- > Contact Resistance: 70 mohm Max.
- > Insulation Resistance: 100 Mohm Min. 500VDC
- > Dielectric Strength: 500VAC 1 Minute
- > Circuit: 2C-2P
- > Timing: Non-Shorting
- > Travel: 2 ± 0.1 mm
- > Operating Force: 200 ± 100 gf
- > Operating Life: 10,000 Cycles
- > Operating Temp.: -40°C ~ +85°C
- > Soldering: 350 ± 5°C 4 Sec. Max. (Manual)
260°C 5 Sec. Max. (Reflow)
- > Packaging: Bulk (by PC Terminals Type)
Reel (by SMT Terminals Type)

Unit: MM
Tolerance unless otherwise stated: 0.1mm