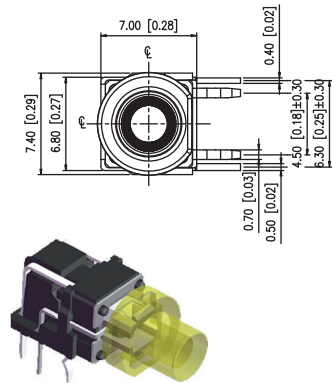


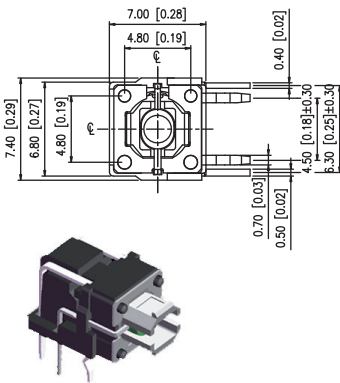
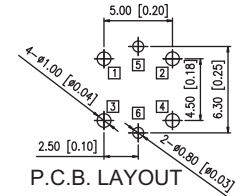
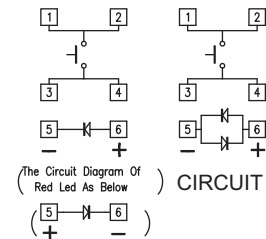
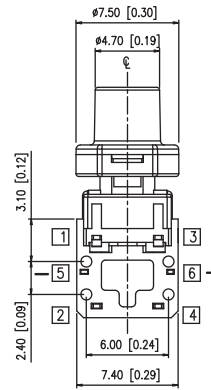
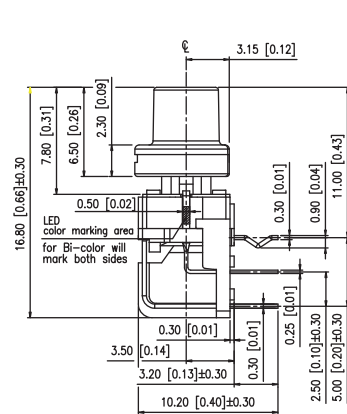
Illuminated Switches

7mm Size right Angle Type illuminated Tactile Switch

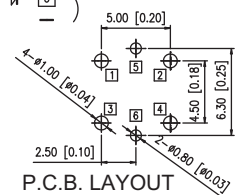
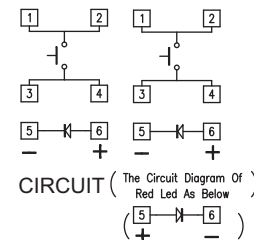
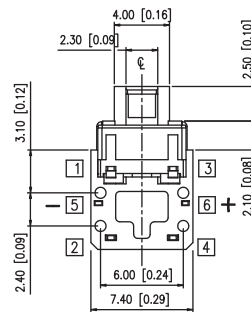
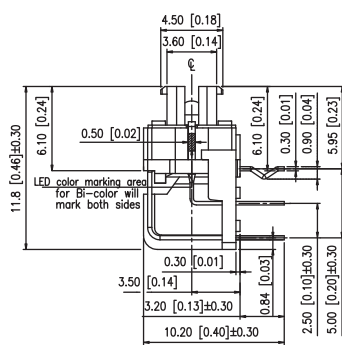
TL7 Series



TL7LN...B...R1A1...



TL7LN...B...N...

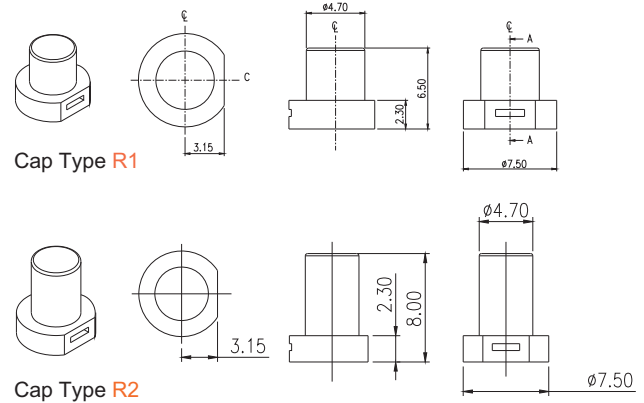


SPECIFICATIONS:

- > Rating: 50mA 12VDC
- > Contact Resistance: 100 mOhms Max.
- > Insulation Resistance: 100 MOhms Min. (500VDC)
- > Dielectric Strength: 250VAC 1 Minute
- > Electrical Life: 500,000 Cycles
- > Stroke: 0.20±0.10 mm
- > Operating Temperature: -40°C ~ +85°C
- > Preservative Temperature: -40°C ~ +85°C (Single Condition)
-20°C ~ +60°C (Taping Condition)
- > Wave Soldering Conditions: 260°C Max. 5 Seconds

MATERIALS:

- > Contact & Cover: Stainless Steel
- > Terminals: Brass with Silver plated
- > Base/Stem: LCP UL94V-0
- > Cap: PES UL94V-0



HOW TO ORDER:

TL7

UNIT: mm [inch]
General Tolerance: ±0.2mm

- | | | | |
|---------------------------------------------------------------------------------------------------------------------------------------------------------------------------------------------------------------------------------------------------------------------------------------|-------------------------------------------------------------------------------------------------------------------------------------------------------------------------------------------------------------------------------------------------|-------------------------------------------------------------------------------------------------------------------------------------------------------------------------------------------------------------|---------------------------------------------------------------------------------------------------------------------------------------------------------------------------------------------------------------------------------|
| <p>1 ILLUMINATION:
L with LED
N without LED</p> <p>2 GROUND:
G with Ground Pins
N without Ground Pins</p> <p>3 OPERATING FORCE:
10 100 gf
16 160 gf
26 260 gf</p> <p>4 LED TYPE:
B See Drawing: </p> <p>N without LED</p> | <p>5 LED COLOR:
C=Red
F=Green
G=Blue
E=Yellow
B=White
PF=PureGreen
MB=Amber/White
MF=Amber/Green
MPF=Amber/PureGreen
CF=Red/Green,
CG=Red/Blue
FE=Green/Yellow
blank=without LED</p> | <p>6 CAP TYPE:
N without Cap
R1 Cap Type R1 (see drawings)
R2 Cap Type R2 (see drawings)</p> <p>7 CAP COLOR:
A Black
S Silver
T Transparent
blank without Cap</p> | <p>8 CAP MARKING:
N with Cap, but no Marking
blank without Cap</p> <p>1 2 3 </p> <p>4 5 </p> <p>9 MATERIALS:
N Standard
H Halogen-Free</p> <p>10 PACKAGING:
TB Tube
TY Tray</p> |
|---------------------------------------------------------------------------------------------------------------------------------------------------------------------------------------------------------------------------------------------------------------------------------------|-------------------------------------------------------------------------------------------------------------------------------------------------------------------------------------------------------------------------------------------------|-------------------------------------------------------------------------------------------------------------------------------------------------------------------------------------------------------------|---------------------------------------------------------------------------------------------------------------------------------------------------------------------------------------------------------------------------------|

All specifications are restricted to QA test criteria.
DC: 2012-06-27 UPD: 2013-07-01
DRW: B.R. JIN, CHK: P.G. GAO, APP: F. H. KANG