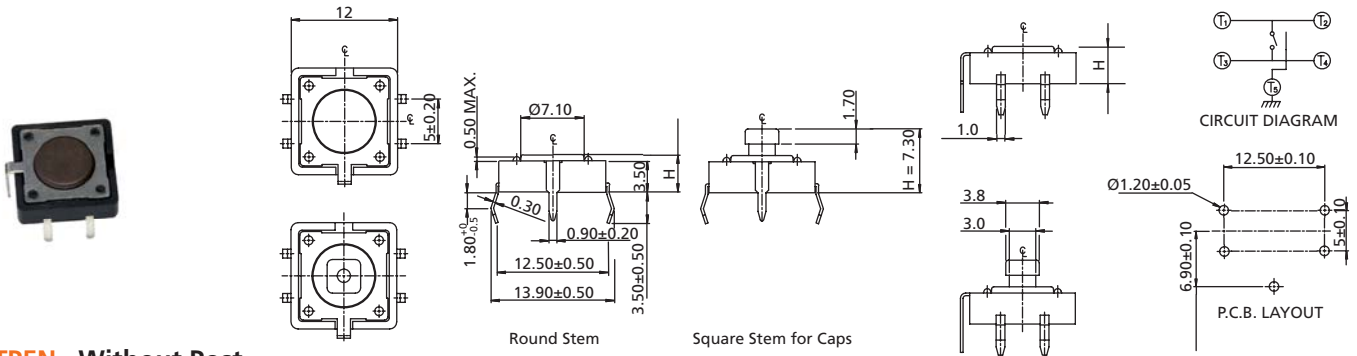
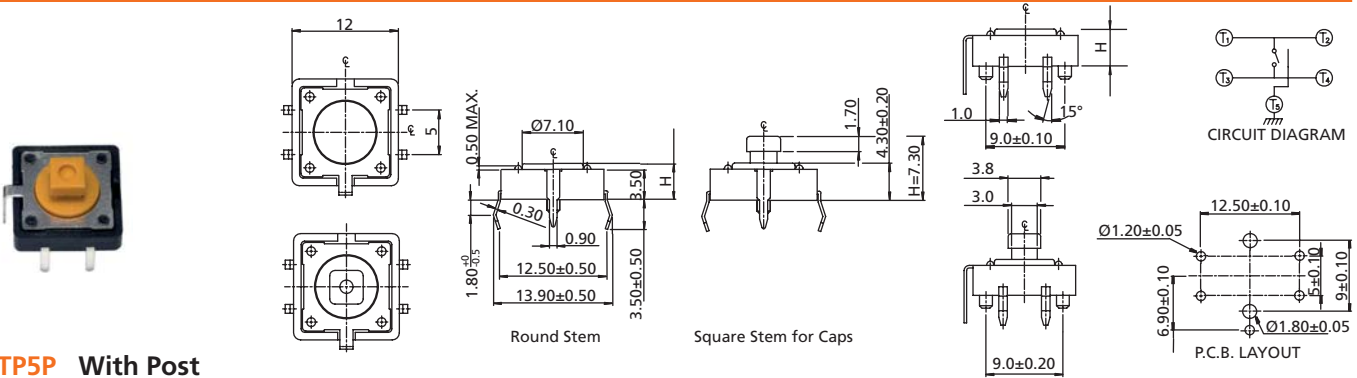


Tactile Switches

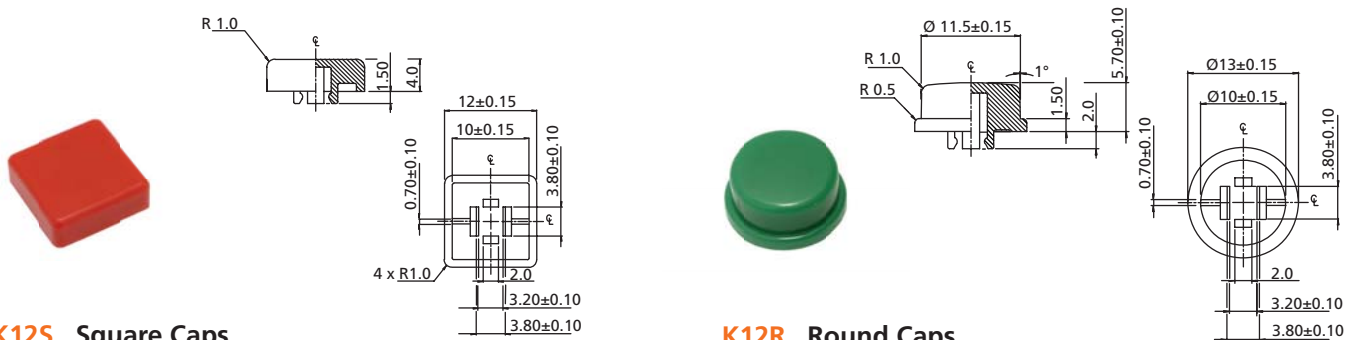
12 x 12 mm THT Tactile Switches with Ground Terminal TP5 Series



TP5N Without Post



TP5P With Post



K12S Square Caps

K12R Round Caps

How to order:

TP5 + (Caps)

- 1 GROUND TERMINAL & POST:**
 - N** With Ground Terminal, without Post (Standard)
 - P** With Ground Terminal, with Post
- 2 DIMENSION H:**
 - 1** H=4.3mm (Round Stem)
 - 4** H=7.3mm (Square Stem 3.8mm)
 - 5** H=8.5mm (Round Stem)

Individual stem heights available by request
- 3 STEM COLOR & OPERATING FORCE:**
 - K** Brown & 160±50gf
 - C** Red & 260±50gf
 - J** Salmon & 320±80gf
- 4 PACKAGE STYLE:**
 - BK** Bulk Pack

- Optional:**
- 5 CAP TYPE (For Square Stems Only):**
 - K12S** Square Caps
 - K12R** Round Caps
 - 6 COLOR OF CAPS:**
 - A** Black
 - B** Ivory
 - C** Red
 - E** Yellow
 - F** Green
 - G** Blue
 - H** Gray
 - S** Salmon

General Specifications:

MATERIALS

- » Contact Disc: Phosphor Bronze with silver cladding
- » Terminal: Brass with silver plated

MECHANICAL

- » Stroke: 0.35 ± 0.1 mm
- » Operation Temperature: -25°C to +70°C
- » Storage Temperature: -30°C to +80°C

ELECTRICAL

- » Electrical Life: 100,000 cycles for 320gf & 260gf
200,000 cycles for 160gf
- » Rating: 50mA, 12VDC
- » Contact Arrangement: 1 pole 1 throw

LEADFREE SOLDERING PROCESSES

- » Wave Soldering: Recommended solder temperature at 260°C max. 5 seconds subject to PCB 1.6mm thickness.

General Tolerance: ± 0.2 mm

All specifications are restricted to QA test criteria. DRW: D.L. JIN, CHK: D.F. LEE, APP: H.Z. QIU

Tactile Switches